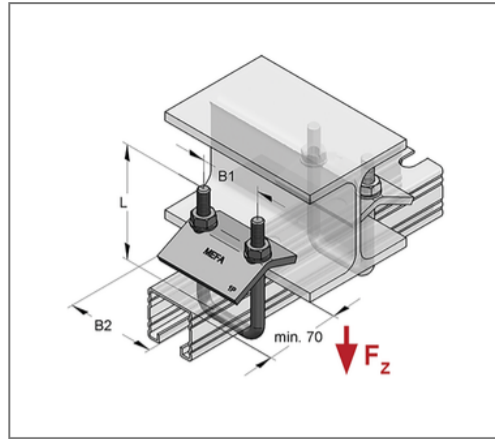
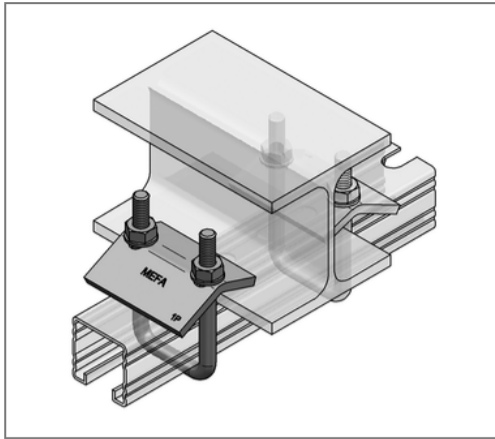


## ■ Clamping bow M10 C-profile 45 Profile height 75 - 90 Clamping thickness 26 mm



### Commercial details

|               |               |
|---------------|---------------|
| Part no.      | 0816730       |
| EAN/GTIN      | 4250928420473 |
| Packing unit  | 20 pcs        |
| Quantity unit | pcs           |
| Weight        | 0,440 kg/pc   |
| Product group | 02-081        |
| Price unit    | 1             |

### QR code



### Specification

|                  |  |
|------------------|--|
| Application area | for mounting of C-profile rail on steel girder |
| Profile type     | 45   |

### Technical data

|               |              |
|---------------|--------------|
| Material      | Steel        |
| Material type | ST 36 FK 4.6 |
| Surface       | galvanized   |

### Product details

|                             |            |
|-----------------------------|------------|
| load $F_z$                  | 4 kN       |
| Thread                      | M10        |
| max. clamping thickness     | 26 mm      |
| Tightening torque           | 15 Nm      |
| Profile height              | 75 - 90 mm |
| Center distance U-bolt B1   | 56 mm      |
| Width tensioning bracket B2 | 80 mm      |
| Length U-bolt L             | 140 mm     |
| min. edge distance          | 70 mm      |