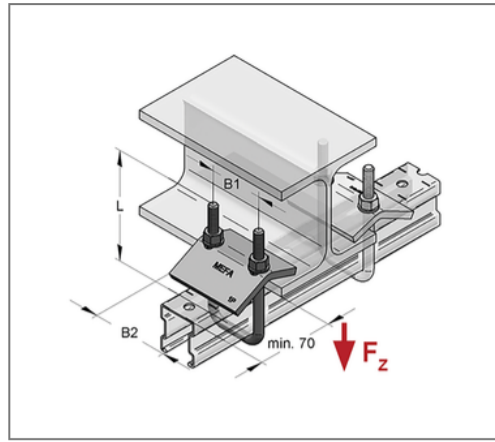
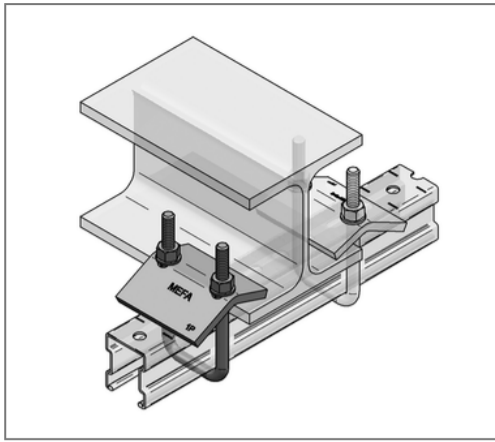


■ Clamping bow M8 C-profile 35 Profile height 20 - 42 Clamping thickness 26 mm



Commercial details

Part no.	0816710
EAN/GTIN	4250928420459
Packing unit	20 pcs
Quantity unit	pcs
Weight	0,307 kg/pc
Product group	02-081
Price unit	1

QR code



Specification

Application area	for mounting of C-profile rail on steel girder
Profile type	35, Stex 35

Technical data

Material	Steel
Material type	ST 36 FK 4.6
Surface	galvanized

Product details

load Fz	3,5 kN
Thread	M8
max. clamping thickness	26 mm
Tightening torque	8 Nm
Profile height	20 - 42 mm
Center distance U-bolt B1	48 mm
Width tensioning bracket B2	70 mm
Length U-bolt L	100 mm
min. edge distance	70 mm