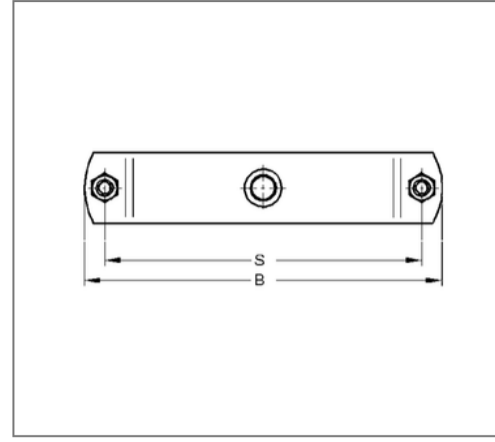
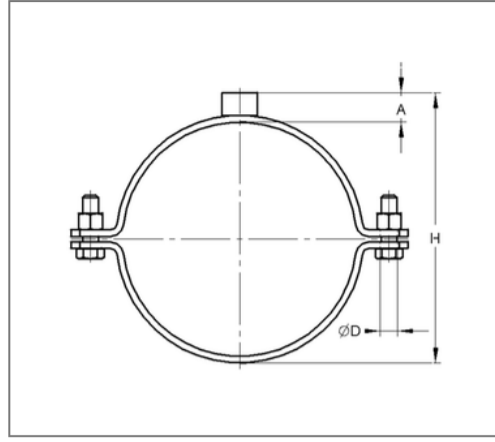
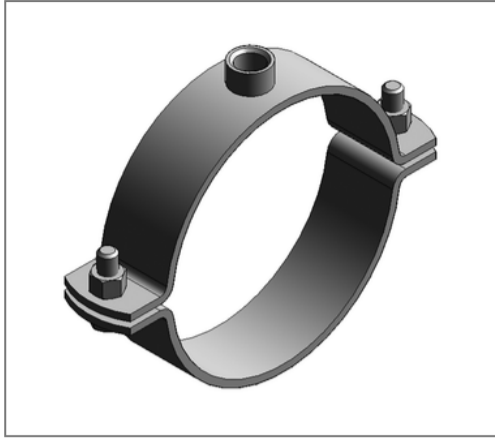


## ■ Pipe clamp Titan HD 50x5 76 mm 1/2" unlined



### Commercial details

Part no.	0072507
EAN/GTIN	4250928403841
Packing unit	1 pcs
Price unit	100
Quantity unit	pcs
Weight	0,855 kg/pc
Product group	01-007

### QR code



### Certification



### Specification

Application	Pipe clamp for fastening pipes in the heavy area
Specification	two-part
Connection	1/2"
Closure	Screw coupling

### Technical data

Material	Steel
Material type	S235
Surface	galvanized
Sound insulation lining	unlined

### Product details

Center distance	124 mm
Connection height	20 mm
Width	153 mm
Height	101 mm
Material dimension	50x5 mm
load Fz	6 kN
Outside pipe diameter	76 mm
Outside pipe diameter inch	2 1/2 inch
Closure screw	M12

### Remark

Delivery time 5 - 8 working days ex works. Exchange and return are excluded.