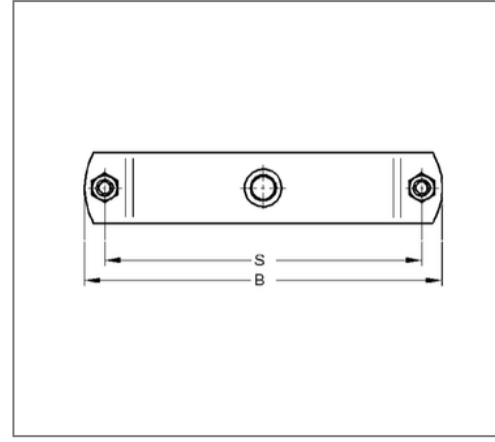
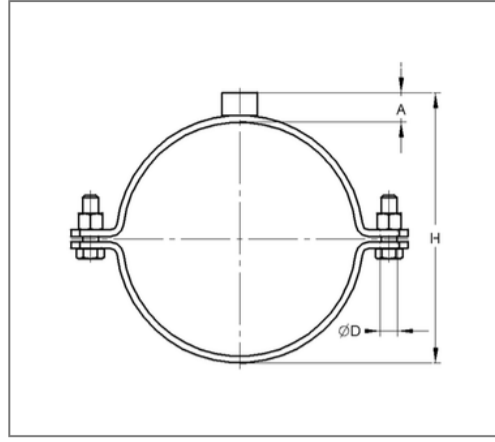
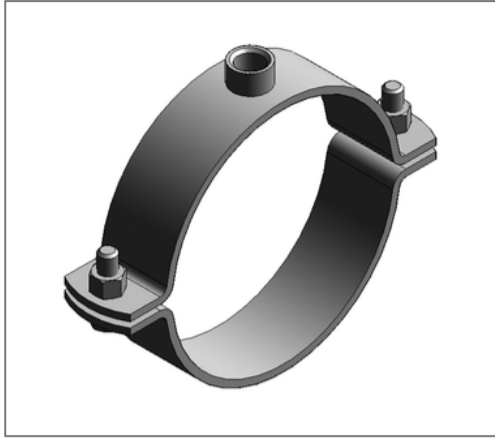


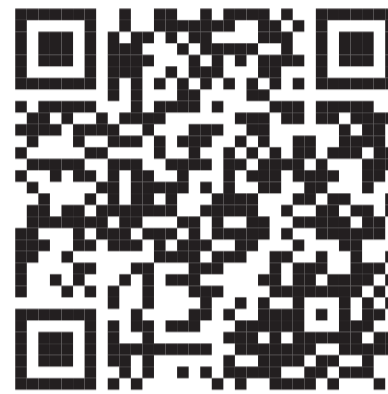
## ■ Pipe clamp Titan HD 50x5 108 mm 1/2" unlined



### Commercial details

Part no.	0072514
EAN/GTIN	4250928403889
Packing unit	1 pcs
Price unit	100
Quantity unit	pcs
Weight	1,06 kg/pc
Product group	01-007

### QR code



### Certification



### Specification

Application area	Pipe clamp for fastening pipes in the heavy load range.
Specification	two-part
Connection	1/2"
Closure	Screw coupling

### Technical data

Material	Steel
Material type	S235
Surface	galvanized
Sound insulation lining	unlined

### Product details

Center distance	157 mm
Connection height	20 mm
Width	186 mm
Height	133 mm
Material dimension	50x5 mm
load Fz	6 kN
Outside pipe diameter	108 mm
Closure screw	M12

### Remark

Delivery time	5 - 8 working days ex works. Exchange and return are excluded.
---------------	--