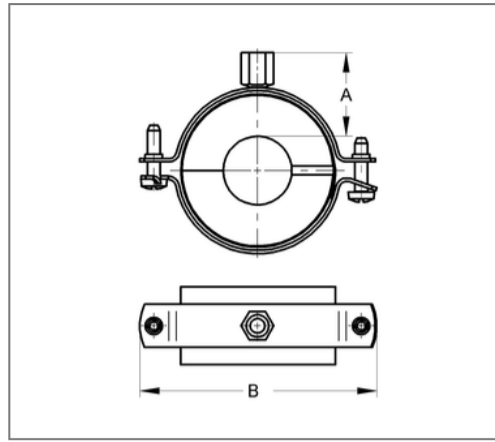
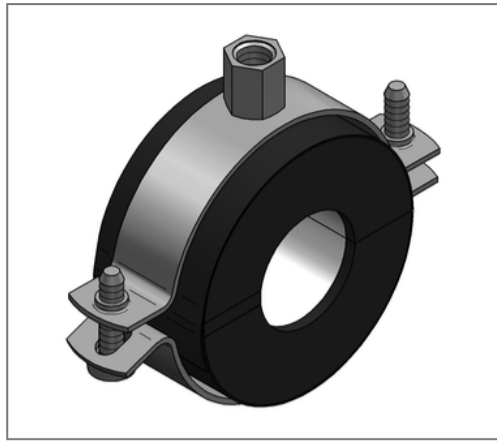


## ■ Insulated pipe clamp Husky II 13 15 mm Insulation 12.5 M8/M10



### Commercial details

|               |               |
|---------------|---------------|
| Part no.      | 6830150       |
| EAN/GTIN      | 4250928440372 |
| Packing unit  | 24 pcs        |
| Price unit    | 1             |
| Quantity unit | pcs           |
| Weight        | 0,0667 kg/pc  |
| Product group | 06-683        |

### QR code



### Certification



### Specification

|                  |  |
|------------------|--|
| Application area | A thermal decoupled mounting of tubes guarantees a reliable prevention of condensate for refrigeration, air-conditioning and drinking water technologies in the sector pipe-clamping |
| Insulation body  | KA/PU  |

### Technical data

|                                   |                       |
|-----------------------------------|-----------------------|
| Material                          | Steel                 |
| Material type                     | DD11                  |
| Material coat                     | Plastic               |
| Surface                           | galvanized            |
| Class                             | B2                    |
| min. temperature resistance       | -45 °C                |
| max. temperature resistance       | 105 °C                |
| Thermal conductivity              | 0.029 W/mK            |
| Density core                      | 120 kg/m <sup>3</sup> |
| Water vapour diffusion resistance | 7000 μ                |

### Product details

|                      |                        |
|----------------------|------------------------|
| Connection           | M8/M10                 |
| Connection height    | 31 mm                  |
| Width                | 77 mm                  |
| Insulation thickness | 12.5 mm                |
| load Fz              | 0.1 kN                 |
| Shell length         | 36 mm                  |
| statical load core   | 0.27 N/mm <sup>2</sup> |