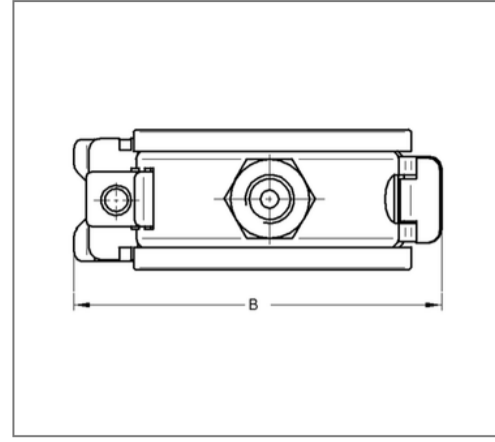
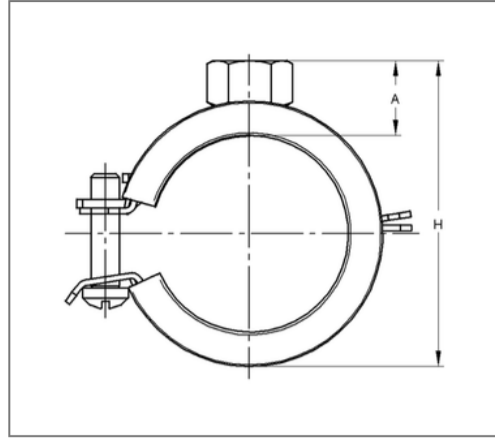


■ Pipe clamp Sigma 20x1 12 - 15 mm M8 EPDM



Commercial details

| | |
|---------------|---------------|
| Part no. | 14510151 |
| EAN/GTIN | 4250928432162 |
| Packing unit | 100 pcs |
| Price unit | 100 |
| Quantity unit | pcs |
| Weight | 0,0260 kg/pc |
| Product group | 01-045 |

QR code



Certification



Specification

| | |
|------------------|------------------------------|
| Application area | Pipe clamp for fixing pipes. |
| Specification | one-part |
| Connection | M8 |
| Closure | Sigma safety quick-closure |

Technical data

| | |
|-------------------------|-----------------|
| Material | Steel |
| Material type | DC01-A, DD11 |
| Surface | galvanized |
| Insulation thickness | 3 mm |
| Temperature resistance | -35 °C - 100 °C |
| Sound insulation lining | Rubber EPDM |

Product details

| | |
|--------------------------------|------------|
| Connection height | 12 mm |
| Width | 41 mm |
| Colour sound insulation lining | black |
| Height | 30 - 33 mm |
| Material dimension | 20x1 mm |
| load Fz | 0.45 kN |
| Clamping range | 12 - 15 mm |
| Outside pipe diameter inch | 1/4 inch |
| Closure screw | M5 |