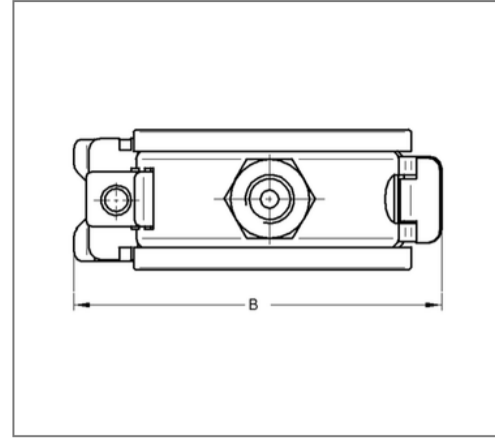
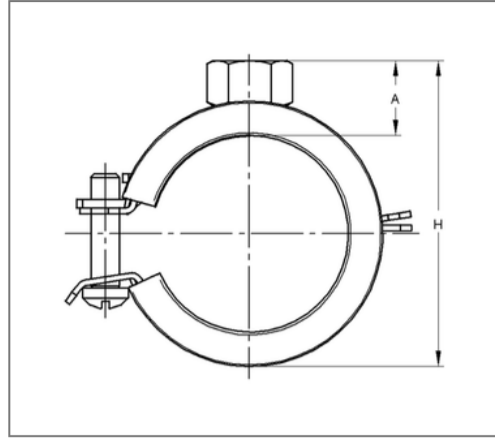


## ■ Pipe clamp Sigma 20x1 40 - 44 mm M8 EPDM



### Commercial details

Part no.	14510441
EAN/GTIN	4250928432216
Packing unit	50 pcs
Price unit	100
Quantity unit	pcs
Weight	0,0580 kg/pc
Product group	01-045

### QR code



### Certification



### Specification

Application area	Pipe clamp for fixing pipes.
Specification	one-part
Connection	M8
Closure	Sigma safety quick-closure

### Technical data

Material	Steel
Material type	DC01-A, DD11
Surface	galvanized
Insulation thickness	3 mm
Temperature resistance	-35 °C - 100 °C
Sound insulation lining	Rubber EPDM

### Product details

Connection height	12 mm
Width	71 mm
Colour sound insulation lining	black
Height	58 - 62 mm
Material dimension	20x1 mm
load Fz	0.45 kN
Clamping range	40 - 44 mm
Outside pipe diameter inch	1 1/4 inch
Closure screw	M5