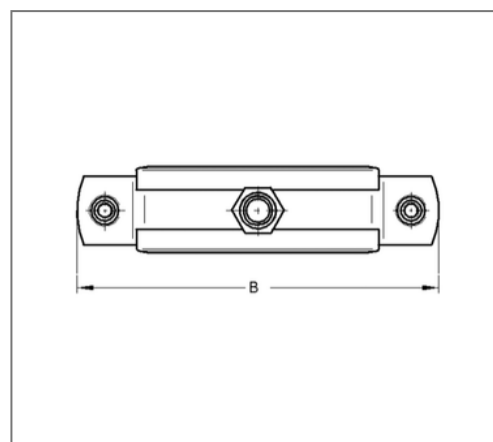
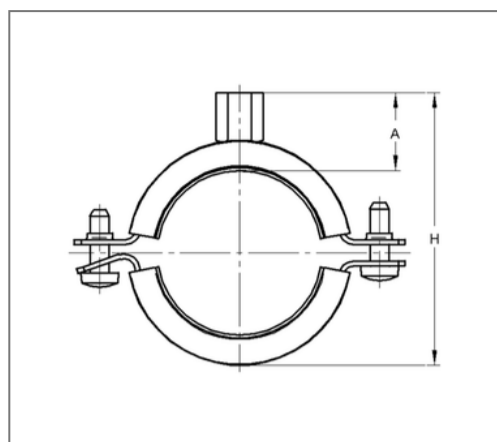


■ Pipe clamp Trabant 25x2,5 132 - 136 mm M10/M12 EPDM



Commercial details

| | |
|---------------|---------------|
| Part no. | 04272361 |
| EAN/GTIN | 4250928409317 |
| Packing unit | 25 pcs |
| Price unit | 100 |
| Quantity unit | pcs |
| Weight | 0,337 kg/pc |
| Product group | 01-042 |

QR code



Certification



Specification

| | |
|------------------|------------------------------|
| Application area | Pipe clamp for fixing pipes. |
| Specification | two-part |
| Connection | M10/M12 |
| Closure | Snap-in closure |

Technical data

| | |
|-------------------------|-----------------|
| Material | Steel |
| Material type | DD11 |
| Surface | galvanized |
| Insulation thickness | 4.5 mm |
| Temperature resistance | -35 °C - 100 °C |
| Sound insulation lining | Rubber EPDM |

Product details

| | |
|--------------------------------|--------------|
| Connection height | 27 mm |
| Width | 187 mm |
| Colour sound insulation lining | black |
| Height | 167 - 173 mm |
| Material dimension | 25x2.5 mm |
| load Fz | 2.2 kN |
| Clamping range | 132 - 136 mm |
| Closure screw | M6 |

Remark

| | |
|------|----------------------------------|
| Note | not certified acc. to RAL GZ-656 |
|------|----------------------------------|