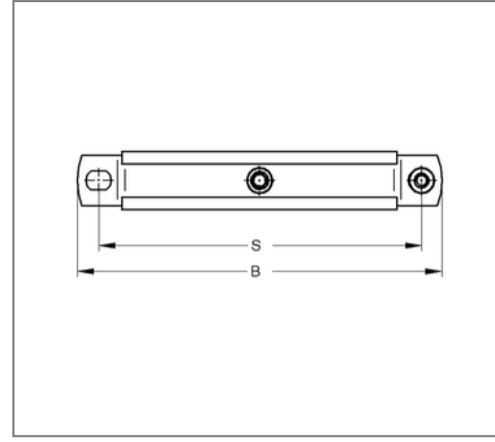
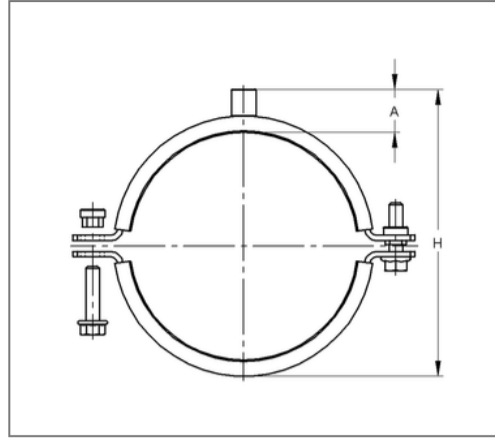
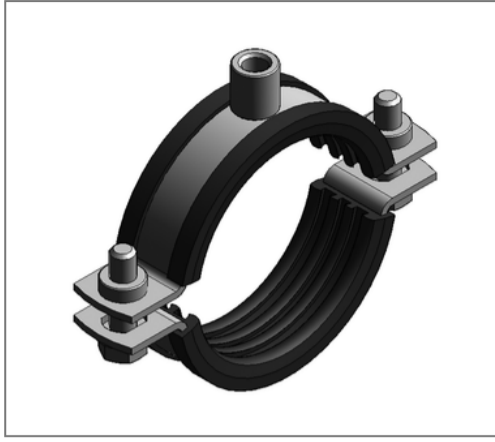


## ■ Pipe clamp Maxima PSM 30x3 102 - 106 mm M10/M12 TPE



### Commercial details

Part no.	008014801
EAN/GTIN	4250928454850
Packing unit	1 pcs
Price unit	100
Quantity unit	pcs
Weight	0,488 kg/pc
Product group	01-008

### QR code



### Certification



### Specification

Application area	Pipe clamp for fixing pipes.
Specification	two-part
Connection	M10/M12
Closure	Pendulum stick nuts

### Technical data

Material	Steel
Material type	S235
Surface	galvanized
Insulation thickness	6 mm
Temperature resistance	-35 °C - 100 °C
Sound insulation lining	Rubber TPE

### Product details

Center distance	152 mm
Connection height	30 mm
Width	178 mm
Colour sound insulation lining	black
Height	141 - 145 mm
Material dimension	30x3 mm
load Fz	1.7 kN
Clamping range	102 - 106 mm
Closure screw	M8

### Remark

Delivery time	5 working days ex works
Notice	With thread M16 or sleeve 1/2 Inch exchange and return are excluded.