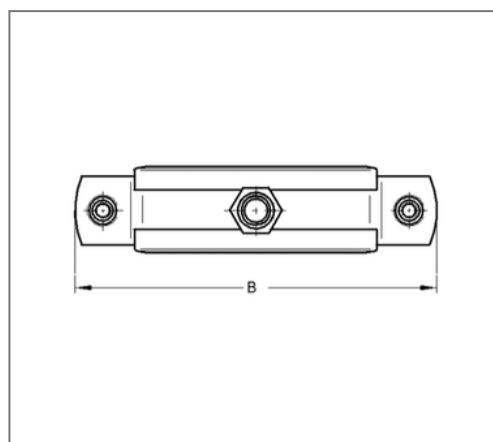
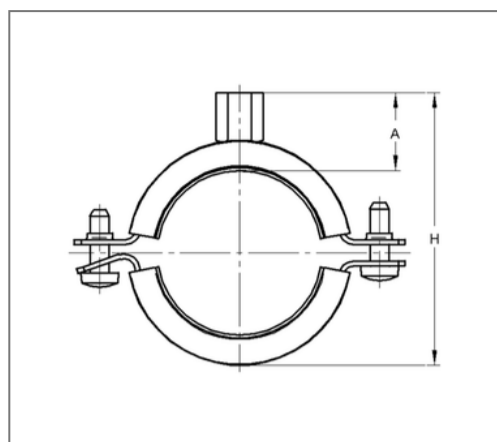


■ Pipe clamp Trabant 25x2,5 164 - 168 mm M10/M12 EPDM



Commercial details

Part no.	04272681
EAN/GTIN	4250928409348
Packing unit	25 pcs
Price unit	100
Quantity unit	pcs
Weight	0,398 kg/pc
Product group	01-042

QR code



Certification



Specification

Application area	Pipe clamp for fixing pipes.
Specification	two-part
Connection	M10/M12
Closure	Snap-in closure

Technical data

Material	Steel
Material type	DD11
Surface	galvanized
Insulation thickness	4.5 mm
Temperature resistance	-35 °C - 100 °C
Sound insulation lining	Rubber EPDM

Product details

Connection height	27 mm
Width	220 mm
Colour sound insulation lining	black
Height	199 - 205 mm
Material dimension	25x2.5 mm
load Fz	2.2 kN
Clamping range	164 - 168 mm
Outside pipe diameter inch	6 inch
Closure screw	M6

Remark

Note	not certified acc. to RAL GZ-656
------	----------------------------------