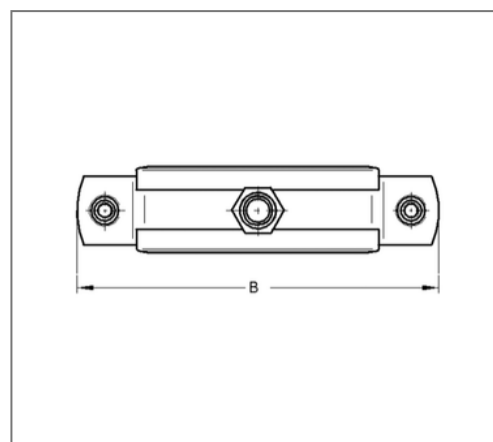
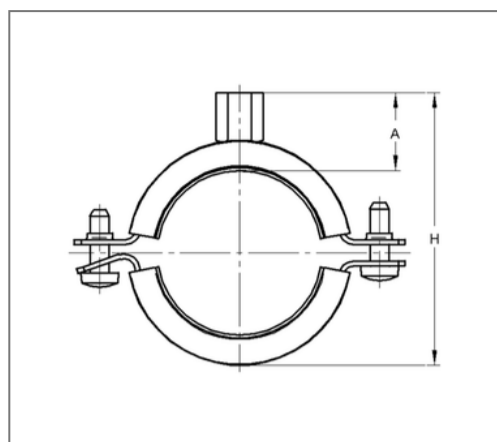


## ■ Pipe clamp Trabant 20x1 16 - 20 mm M8/M10 TPE



### Commercial details

Part no.	042620101
EAN/GTIN	4250928409188
Packing unit	100 pcs
Price unit	100
Quantity unit	pcs
Weight	0,0540 kg/pc
Product group	01-042

### QR code



### Certification



### Specification

Application area	Pipe clamp for fixing pipes.
Specification	two-part
Connection	M8/M10
Closure	Snap-in closure

### Technical data

Material	Steel
Material type	DD11
Surface	galvanized
Insulation thickness	4.5 mm
Temperature resistance	-35 °C - 100 °C
Sound insulation lining	Rubber TPE

### Product details

Connection height	22 mm
Width	64 mm
Colour sound insulation lining	black
Height	43 - 48 mm
Material dimension	20x1 mm
load Fz	0.29 kN
Clamping range	16 - 20 mm
Outside pipe diameter inch	3/8 inch
Closure screw	M6