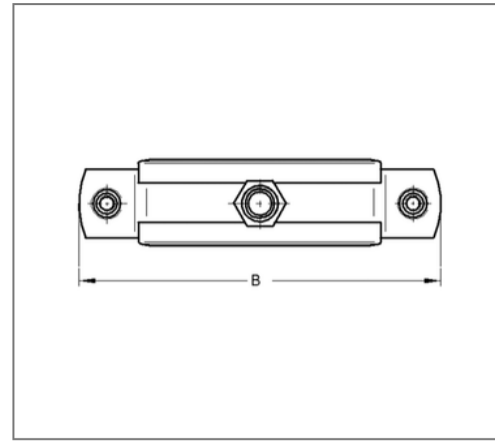
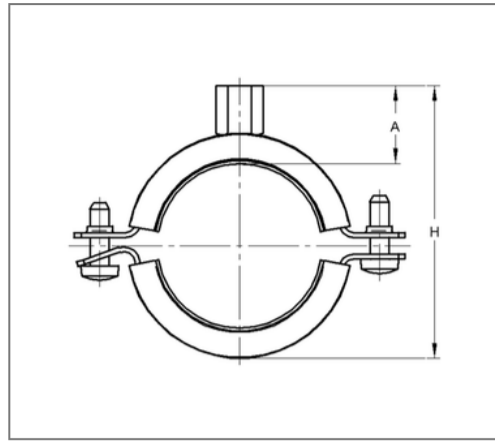


■ Pipe clamp Trabant 20x1 26 - 30 mm M8/M10 TPE



Commercial details

Part no.	042630101
EAN/GTIN	4250928409201
Packing unit	100 pcs
Price unit	100
Quantity unit	pcs
Weight	0,0640 kg/pc
Product group	01-042

QR code



Certification



Specification

Application area	Pipe clamp for fixing pipes.
Specification	two-part
Connection	M8/M10
Closure	Snap-in closure

Technical data

Material	Steel
Material type	DD11
Surface	galvanized
Insulation thickness	4.5 mm
Temperature resistance	-35 °C - 100 °C
Sound insulation lining	Rubber TPE

Product details

Connection height	22 mm
Width	75 mm
Colour sound insulation lining	black
Height	53 - 58 mm
Material dimension	20x1 mm
load Fz	0.29 kN
Clamping range	26 - 30 mm
Outside pipe diameter inch	3/4 inch
Closure screw	M6