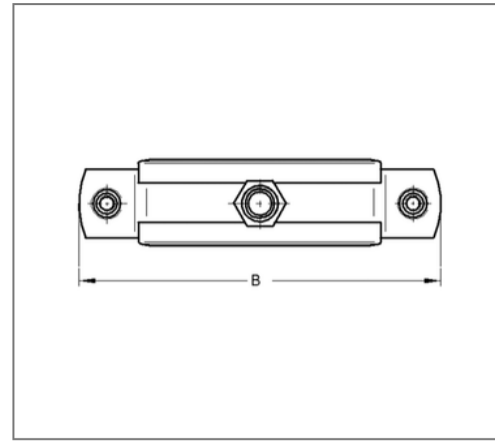
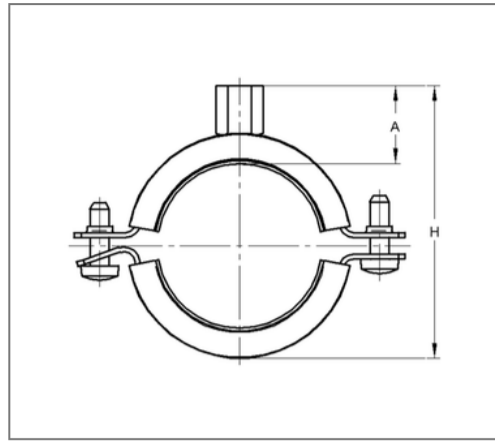


■ Pipe clamp Trabant 20x1,5 42 - 46 mm M8/M10 TPE



Commercial details

Part no.	042646101
EAN/GTIN	4250928409225
Packing unit	50 pcs
Price unit	100
Quantity unit	pcs
Weight	0,0940 kg/pc
Product group	01-042

QR code



Certification



Specification

Application area	Pipe clamp for fixing pipes.
Specification	two-part
Connection	M8/M10
Closure	Snap-in closure

Technical data

Material	Steel
Material type	DD11
Surface	galvanized
Insulation thickness	4.5 mm
Temperature resistance	-35 °C - 100 °C
Sound insulation lining	Rubber TPE

Product details

Connection height	23 mm
Width	92 mm
Colour sound insulation lining	black
Height	71 - 75 mm
Material dimension	20x1.5 mm
load Fz	0.89 kN
Clamping range	42 - 46 mm
Outside pipe diameter inch	1 1/4 inch
Closure screw	M6