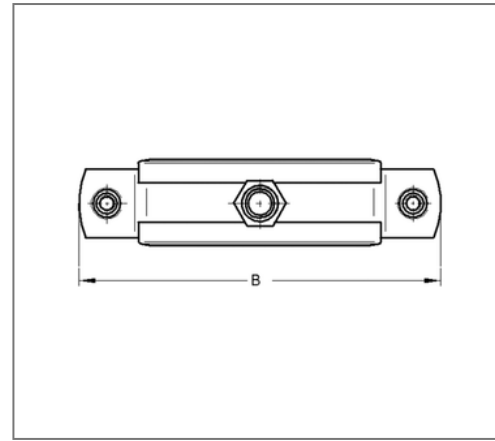
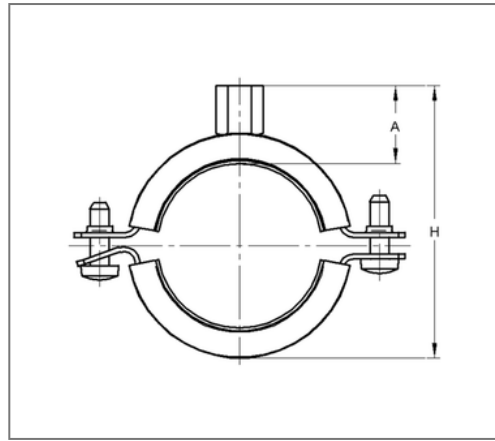


■ Pipe clamp Trabant 20x1,5 48 - 52 mm M8/M10 TPE



Commercial details

| | |
|---------------|---------------|
| Part no. | 042652101 |
| EAN/GTIN | 4250928409232 |
| Packing unit | 50 pcs |
| Price unit | 100 |
| Quantity unit | pcs |
| Weight | 0,101 kg/pc |
| Product group | 01-042 |

QR code



Certification



Specification

| | |
|------------------|------------------------------|
| Application area | Pipe clamp for fixing pipes. |
| Specification | two-part |
| Connection | M8/M10 |
| Closure | Snap-in closure |

Technical data

| | |
|-------------------------|-----------------|
| Material | Steel |
| Material type | DD11 |
| Surface | galvanized |
| Insulation thickness | 4.5 mm |
| Temperature resistance | -35 °C - 100 °C |
| Sound insulation lining | Rubber TPE |

Product details

| | |
|--------------------------------|------------|
| Connection height | 23 mm |
| Width | 98 mm |
| Colour sound insulation lining | black |
| Height | 76 - 81 mm |
| Material dimension | 20x1.5 mm |
| load Fz | 0.89 kN |
| Clamping range | 48 - 52 mm |
| Outside pipe diameter inch | 1 1/2 inch |
| Closure screw | M6 |