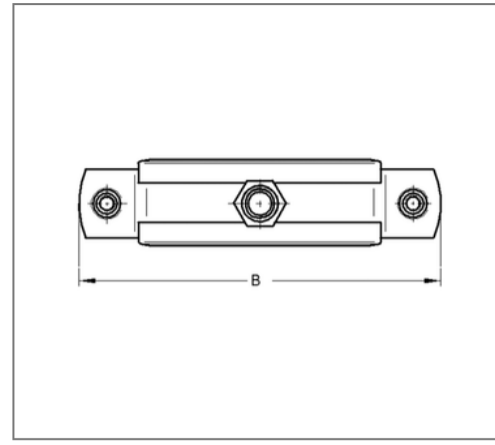
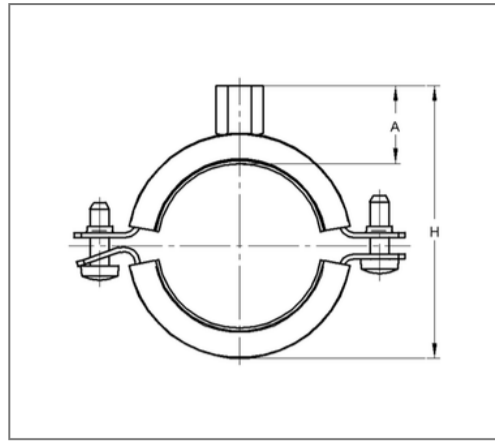
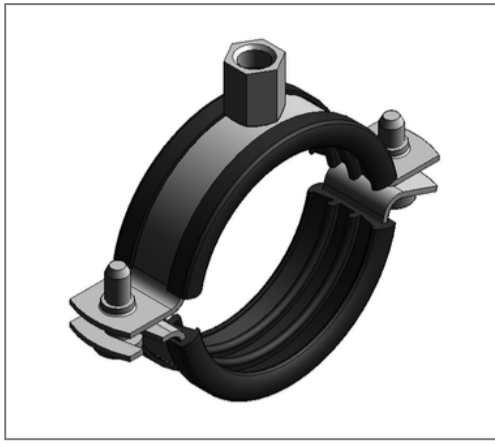


■ Pipe clamp Trabant 20x1,5 54 - 58 mm M8/M10 TPE



Commercial details

Part no.	042658101
EAN/GTIN	4250928409249
Packing unit	50 pcs
Price unit	100
Quantity unit	pcs
Weight	0,107 kg/pc
Product group	01-042

QR code



Certification



Specification

Application area	Pipe clamp for fixing pipes.
Specification	two-part
Connection	M8/M10
Closure	Snap-in closure

Technical data

Material	Steel
Material type	DD11
Surface	galvanized
Insulation thickness	4.5 mm
Temperature resistance	-35 °C - 100 °C
Sound insulation lining	Rubber TPE

Product details

Connection height	23 mm
Width	104 mm
Colour sound insulation lining	black
Height	82 - 87 mm
Material dimension	20x1.5 mm
load Fz	0.89 kN
Clamping range	54 - 58 mm
Closure screw	M6