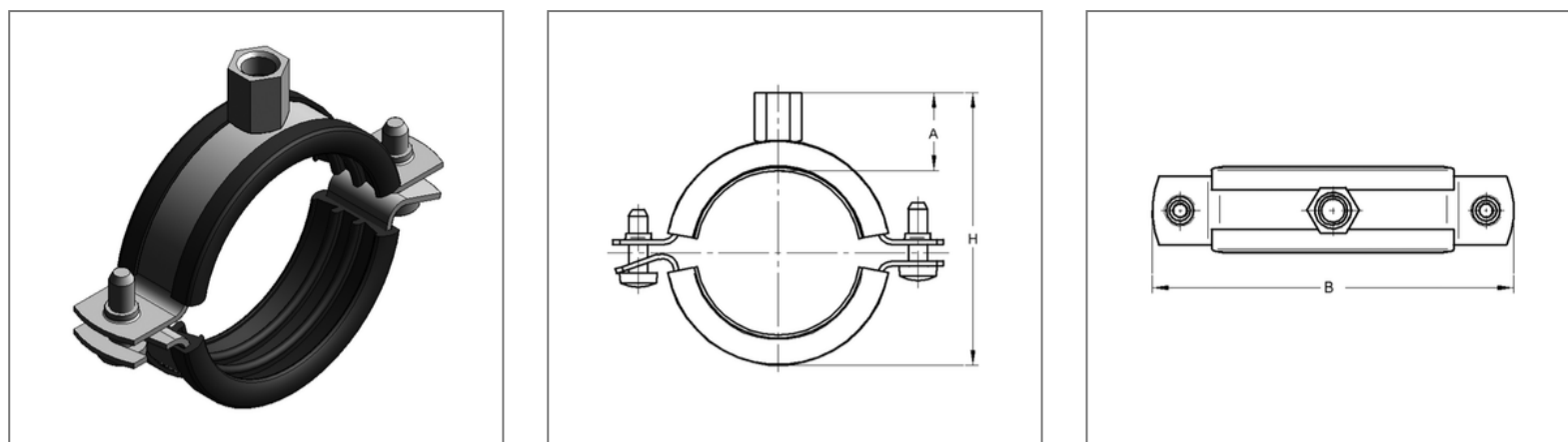


■ Pipe clamp Trabant 20x1 12 - 15 mm M8/M10 TPE



Commercial details

Part no.	042615101
EAN/GTIN	4250928409171
Packing unit	100 pcs
Price unit	100
Quantity unit	pcs
Weight	0,0510 kg/pc
Product group	01-042

QR code



Certification



Specification

Application area	Pipe clamp for fixing pipes.
Specification	two-part
Connection	M8/M10
Closure	Snap-in closure

Technical data

Material	Steel
Material type	DD11
Surface	galvanized
Insulation thickness	4.5 mm
Temperature resistance	-35 °C - 100 °C
Sound insulation lining	Rubber TPE

Product details

Connection height	22 mm
Width	59 mm
Colour sound insulation lining	black
Height	40 - 43 mm
Material dimension	20x1 mm
load Fz	0.29 kN
Clamping range	12 - 15 mm
Closure screw	M6