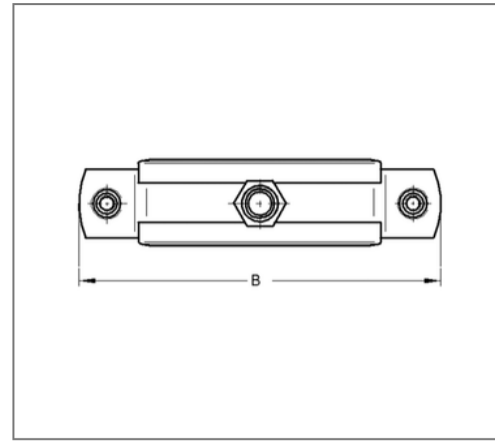
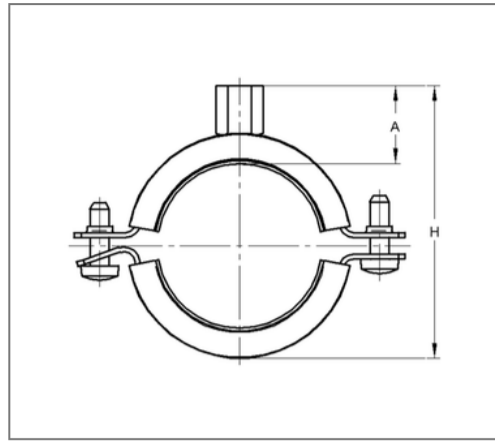


## ■ Pipe clamp Trabant 25x1,5 70 - 76 mm M8/M10 TPE



### Commercial details

Part no.	042672101
EAN/GTIN	4250928409263
Packing unit	50 pcs
Price unit	100
Quantity unit	pcs
Weight	0,150 kg/pc
Product group	01-042

### QR code



### Certification



### Specification

Application area	Pipe clamp for fixing pipes.
Specification	two-part
Connection	M8/M10
Closure	Snap-in closure

### Technical data

Material	Steel
Material type	DD11
Surface	galvanized
Insulation thickness	4.5 mm
Temperature resistance	-35 °C - 100 °C
Sound insulation lining	Rubber TPE

### Product details

Connection height	22 mm
Width	122 mm
Colour sound insulation lining	black
Height	98 - 104 mm
Material dimension	25x1.5 mm
load Fz	0.89 kN
Clamping range	70 - 76 mm
Closure screw	M6