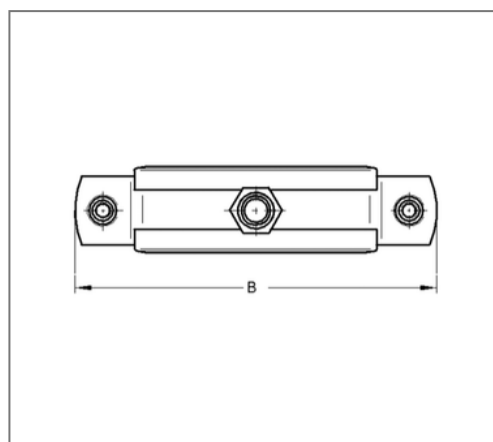
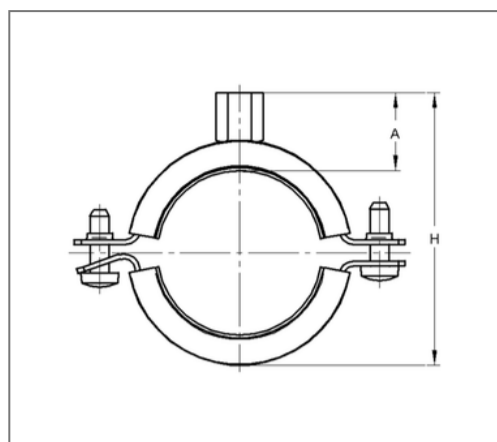


■ Pipe clamp Trabant 25x2 85 - 90 mm M8/M10 TPE



Commercial details

Part no.	0426901
EAN/GTIN	4250928409287
Packing unit	50 pcs
Price unit	100
Quantity unit	pcs
Weight	0,202 kg/pc
Product group	01-042

QR code



Certification



Specification

Application area	Pipe clamp for fixing pipes.
Specification	two-part
Connection	M8/M10
Closure	Snap-in closure

Technical data

Material	Steel
Material type	DD11
Surface	galvanized
Insulation thickness	4.5 mm
Temperature resistance	-35 °C - 100 °C
Sound insulation lining	Rubber TPE

Product details

Connection height	23 mm
Width	134 mm
Colour sound insulation lining	black
Height	114 - 119 mm
Material dimension	25x2 mm
load Fz	1.5 kN
Clamping range	85 - 90 mm
Outside pipe diameter inch	3 inch
Closure screw	M6