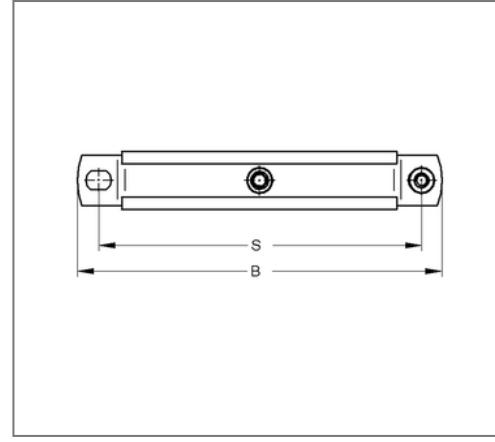
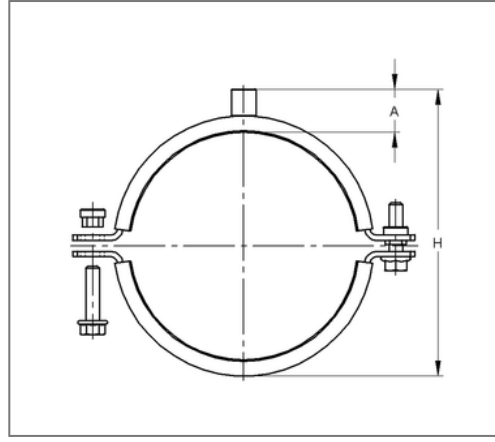
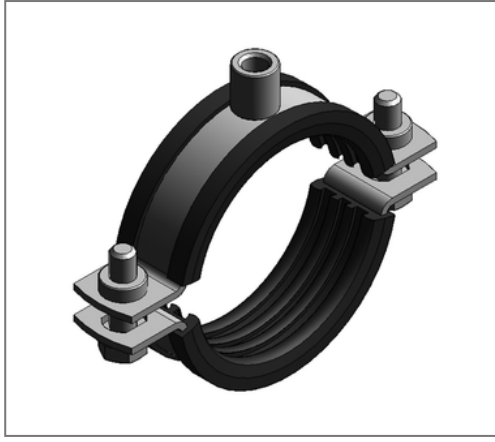


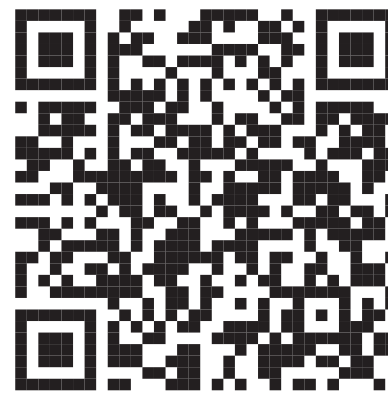
■ Pipe clamp Maxima PSM 30x3 94 - 100 mm M10/M12 TPE



Commercial details

Part no.	008010801
EAN/GTIN	4250928454843
Packing unit	1 pcs
Price unit	100
Quantity unit	pcs
Weight	0,464 kg/pc
Product group	01-008

QR code



Certification



Specification

Application area	Pipe clamp for fixing pipes.
Specification	two-part
Connection	M10/M12
Closure	Pendulum stick nuts

Technical data

Material	Steel
Material type	S235
Surface	galvanized
Insulation thickness	6 mm
Temperature resistance	-35 °C - 100 °C
Sound insulation lining	Rubber TPE

Product details

Center distance	146 mm
Connection height	30 mm
Width	172 mm
Colour sound insulation lining	black
Height	133 - 139 mm
Material dimension	30x3 mm
load Fz	1.7 kN
Clamping range	94 - 100 mm
Closure screw	M8

Remark

Delivery time	5 working days ex works
Notice	With thread M16 or sleeve 1/2 Inch exchange and return are excluded.