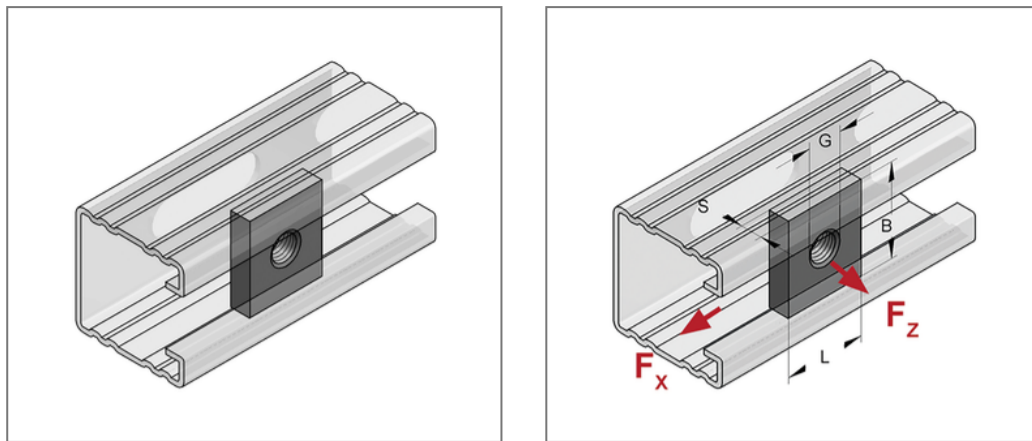


■ Threaded plate M16 square 35x30 mm galv.



Commercial details

Part no.	0816146
EAN/GTIN	4250928420190
Packing unit	50 pcs
Quantity unit	pcs
Weight	0,0560 kg/pc
Product group	02-081
Price unit	100

QR code



Technical data

Material	Steel
Material type	S235
Surface	galvanized

Product details

Loading capacity	see loads in the catalogue
Length L	35 mm
Width B	30 mm
Material thickness S	6 mm
Thread G	M16
Profile type	35, 45
Shape	square

Remark

Note	not suitable for Stex 35/20 and 35/35
------	---------------------------------------