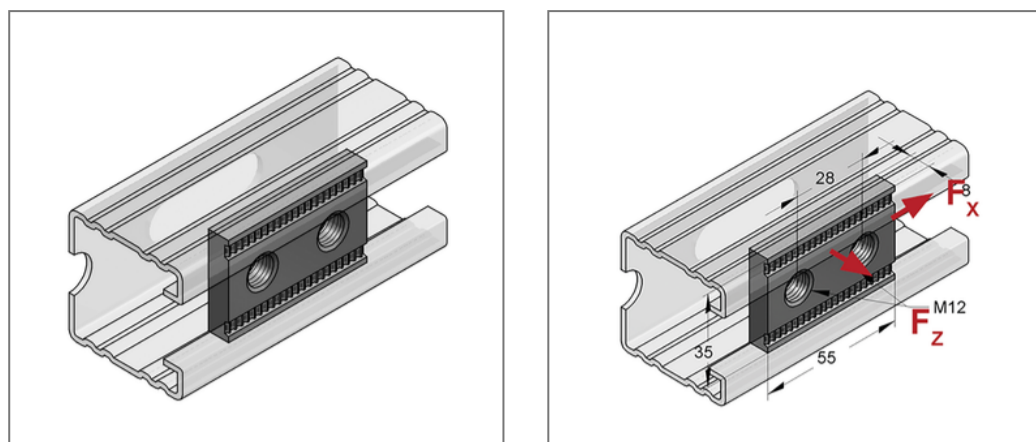


## ■ 2-hole Tooth plate M12 55 x 35 mm galv.



### Commercial details

Part no.	0818110
EAN/GTIN	4250928420619
Packing unit	50 pcs
Quantity unit	pcs
Weight	0,106 kg/pc
Product group	02-081
Price unit	1

### QR code



### Certification



### Technical data

Material	Steel
Material type	S235
Surface	galvanized

### Product details

Loading capacity	see loads in the catalogue
Length	55 mm
Width	35 mm
Material thickness	8 mm
Thread	M12
Profile type	45
Shape	square