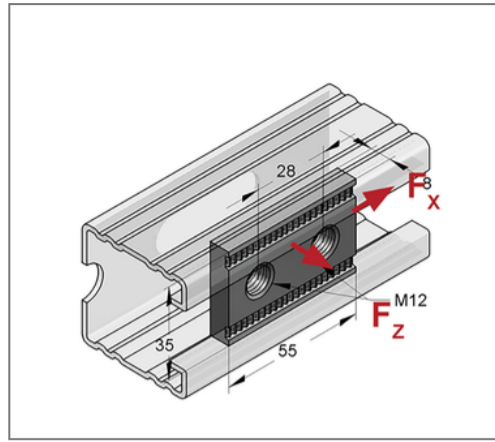
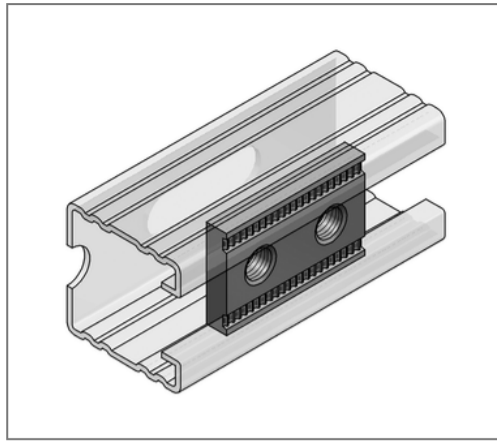


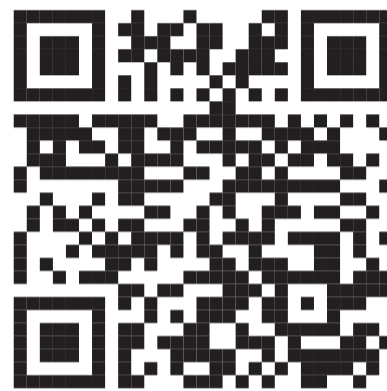
■ 2-hole Tooth plate M12 55 x 35 mm ZnNi



Commercial details

Part no.	0818110/zn
EAN/GTIN	4250928456694
Packing unit	50 pcs
Quantity unit	pcs
Weight	0,106 kg/pc
Product group	02-081
Price unit	1

QR code



Certification



Technical data

Material	Steel
Material type	S235
Surface	Zinc-Nickel

Product details

Loading capacity	see loads in the catalogue
Length	55 mm
Width	35 mm
Material thickness	8 mm
Thread	M12
Profile type	45
Shape	square