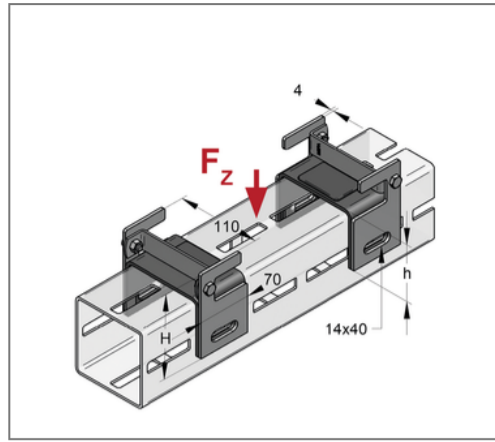
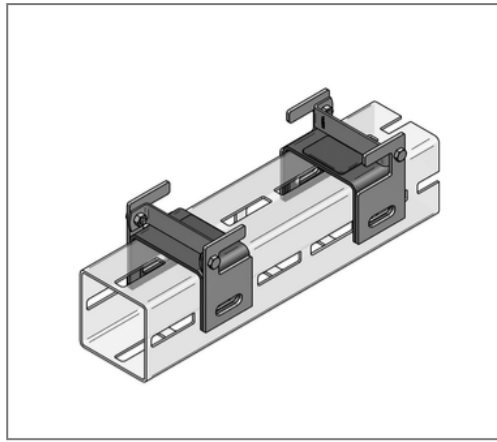


## ■ Sliding base CENTUM XL 100 standing with lift lock



### Commercial details

Part no.	1651001020
EAN/GTIN	4250928437228
Packing unit	1 set
Quantity unit	set
Weight	2,13 kg/set
Product group	14-165
Price unit	1

### QR code



### Certification



### Specification

Profile type	XL 100, XL 200
Installation advise	für Gleitlager T und Gleitschlitten ab 200 mm Breite

### Technical data

Material	Steel
Material type	S235
Surface	hot-dip galvanized
min. temperature resistance	-200 °C
max. temperature resistance	80 °C
Safety factor	1,54
Thickness	16 mm
Static friction factor	0,2

### Product details

Höhe H	110 mm
Elongated hole	14x40 mm
Alignment	standing
Lift lock	with lift lock
Width sliding base	115 mm
Height sliding base h	74 mm
Length sliding base	70 mm
Width sliding stripe	40 mm
Length sliding stripe	76 mm
max. thickness sliding plate	16 mm
load Fz	40 kN

### Remark

Notice	shipment in pairs
--------	-------------------