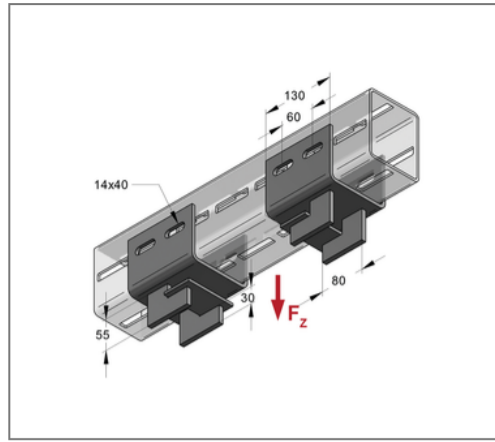
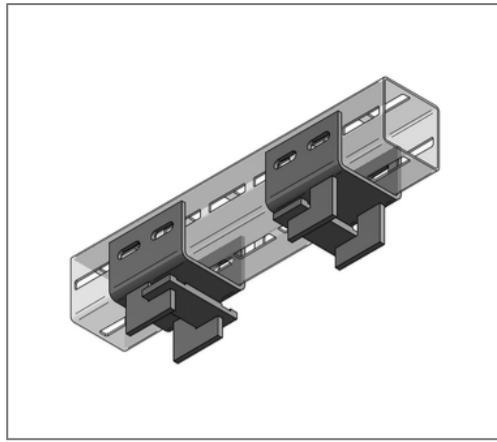


## ■ Sliding base CENTUM XL 100 hanging



### Commercial details

Part no.	1651002001
EAN/GTIN	4250928437235
Packing unit	1 set
Quantity unit	set
Weight	4,78 kg/set
Product group	14-165
Price unit	1

### QR code



### Certification



### Specification

Profile type	XL 100, XL 200
--------------	----------------

### Technical data

Material	Steel
Material type	S235
Surface	hot-dip galvanized
min. temperature resistance	-200 °C
max. temperature resistance	80 °C
Safety factor	1,54
Thickness	16 mm
Static friction factor	0,2

### Product details

Height	141 mm
Elongated hole	14x40 mm
Alignment	hanging
Width sliding base	101 mm
Length sliding base	130 mm
Width sliding stripe	40 mm
Length sliding stripe	76 mm
max. thickness sliding plate	16 mm
load Fz	15 kN

### Remark

Notice	shipment in pairs
--------	-------------------