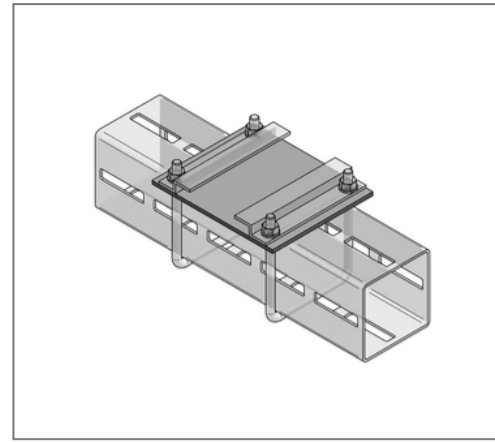
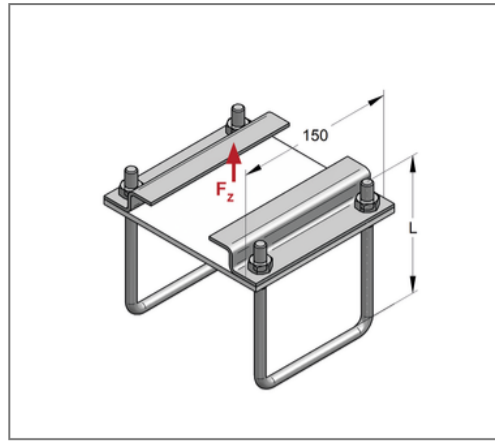
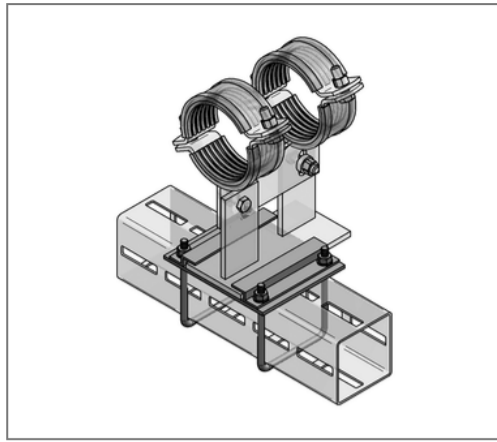


■ Z-Guides Set U-bolt XL 100 For sliding element width 100 mm



Commercial details

Part no.	14799100
EAN/GTIN	4250928449436
Packing unit	1 set
Quantity unit	set
Weight	1,06 kg/set
Product group	14-147
Price unit	1

QR code



Certification



Specification

Application Guiding of sliding elements on CENTUM XL 100 area or square tube 100 or CENTUM XL 120 upright.

Technical data

Material	Steel
Material type	S235
Surface	Zinc-Nickel
min. temperature resistance	-30 °C
max. temperature resistance	110 °C

Product details

Thread	M10
Length thread	40 mm
Hole-Ø	10,5 mm
Thickness	3 mm
Static friction factor	0,2 - 0,3
Center distance U-bolt	116 mm
Center distance hole	116 mm
For max. plate thickness	16 mm
load F_z	4,5 kN
For sliding element width	100 mm
Width Z-guides	64,5 mm
Profile type	XL 100
Height U-bolt	136 mm
Height Z-guides	22 mm

Product details

Length Z-guides

150 mm