

# SA UNI

## Saddle with outlet spigot Universal SDR 11

Saddle with outlet spigot Universal SA UNI SDR 11

Gas, water and H<sub>2</sub>

- Maximum pressure: Gas 10 bar, Water 16 bar
- Material: PE 100
- Universal clamping technique (balanced loading):
  - Safe clamping with UNITOP
  - Ideal distribution of force application
  - Perfect adaptation to pipe diameter
- Pressure test of the fusing before tapping possible
- Tapping under pressure possible
- Safety technology

### Note:

When processing SA UNI with outlet spigot 90 - 160, the clamping device UNITOP (Order No. 613385) is required.

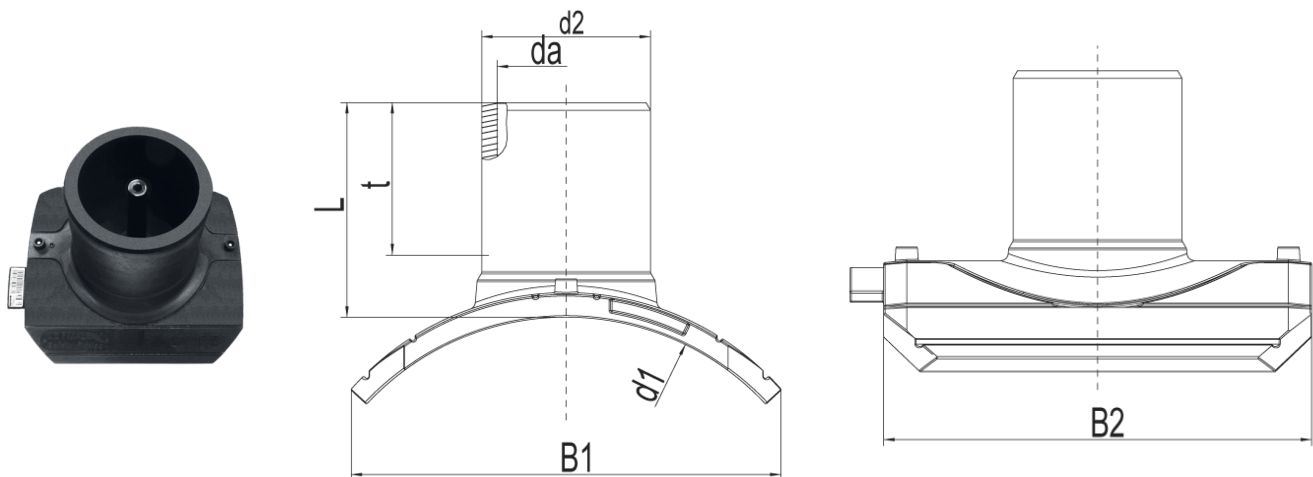
For the outlet spigots 225 / 250, UNITOP 250 (Order No. 613387) is required.

For pressure-free tapping, we recommend our FWAB drilling device.

Pressure test of the fusing before tapping with pressure test adapter FWDPA SA (Order No. 613596).

Also suitable for special dimensions for Close-Fit-Liners.

If you have any questions about this or about tapping under pressure, please contact our Hotline: Tel. +49 621 486-2325.



PE 100 SDR 11

Maximum permissible working pressure 16 bar (water) / 10 bar (gas)



Reference	d <sub>1</sub>	d <sub>2</sub>	B1	B2	L	t	Drilling Ø d <sub>a</sub>	Weight [kg]	BX	PU
616553	250-280	90	260	279	130	79	65	1,420	5	40
616554	250-280	110	260	279	140	82	84	1,590	5	40

# SA UNI

## Saddle with outlet spigot Universal SDR 11

	Reference	d <sub>1</sub>	d <sub>2</sub>	B1	B2	L	t	Drilling Ø d <sub>a</sub>	Weight [kg]	BX	PU
	616555	250-280	125	260	279	146	87	95	1,760	5	40
	616556	250-280	160	260	279	158	98	123	2,210	5	40
	616557	315-400	90	280	279	130	79	65	1,430	5	40
	616558	315-400	110	280	279	140	82	84	1,600	5	40
	616559	315-400	125	280	279	146	87	95	1,750	5	40
	616560	315-400	160	280	279	158	98	123	2,220	5	40
	616561	450-900	90	307	279	130	79	65	1,390	5	40
	616562	450-900	110	307	279	140	82	84	1,550	5	40
	616563	450-900	125	307	279	146	87	95	1,710	5	40
	616564	450-900	160	307	279	158	98	123	2,160	5	40
1	617224	315-355	225	363	438	226	164	172	2,210	5	40
1	617225	315-355	250	363	438	226	164	187	2,210	5	40
1	617226	400-450	225	403	438	226	164	172	2,210	5	40
1	617227	400-450	250	403	438	226	164	187	2,210	5	40
1	617228	500-560	225	429	438	226	164	172	2,210	5	40
1	617229	500-560	250	429	438	226	164	187	2,210	5	40
1	617230	710-900	225	444	438	226	164	172	2,210	5	40
1	617231	710-900	250	444	438	226	164	187	2,210	5	40
1	617232	1000-1200	225	450	438	226	164	172	2,210	5	40
1	617233	1000-1200	250	450	438	226	164	187	2,210	5	40

<sup>1</sup> NEW

FRIALEN safety fittings can be fused to pipes SDR 11 – SDR 26. Other SDR-stages on request. Please observe the marking directly at the product, which is mandatory.

## SA UNI

### Saddle with outlet spigot Universal SDR 11

#### Areas of Application

Instead of cost-intensively integrating a T-piece, a branch or vent can be very comfortably created using the FRIALEN Saddle with outlet spigot Universal SA UNI. The spigot outlet can be fused with FRIALEN couplers MB or UB.

#### Assembly Instructions

The saddle SA UNI is clamped onto the pipe with the UNITOP clamping device (Order-No. 613385, see FRIATOOLS product range) or for the saddle SA UNI 225/250 with the UNITOP 250 clamping device (Order-No. 613387). The clamping device UNITOP or UNITOP 250 is an universal tool for all SA UNI dimensions. Please read the assembly and operating instructions for the clamping devices UNITOP and UNITOP 250.

The fusion of the HD-PE distribution pipes and the house connections with FRIALEN Saddle with outlet spigot Universal SA UNI takes place by FRIALEN-fusing – leakproof and longitudinally strong.

The saddle and the outlet spigot have to be prepared according to the general installation instructions (see assembly instruction FRIALEN safety fittings). This involves removing the oxide skin and cleaning the pipe covered by the saddle.

For tapping of pipes without pressure please use the FRIATOOLS tapping equipment FWAB. Please refer the assembly and operating instructions of the drilling device FWAB. The fusion and tapping of pipes under pressure is possible with special tapping equipment. Please contact our applications engineers.

#### Good reasons for using the FRIALEN Saddle with outlet spigot Universal SA UNI:

- Cost alternative to T-Pieces
- Cross-dimensional processing of up to **three** pipe diameters
- Clear and safe indication for the correct clamping (preset torque wrench)
- Burr-free and almost flush tapping for maximum hydraulic performance
- Tapping under pressure with shut-off element without interrupting operations is possible
- Before tapping the pipe, a leak test can take place with the pressure testing device FWDPA SA
- Simple and safe installation with UNITOP and UNITOP 250 (Balanced-Loading)
- Fusion indicators for visual fusion control