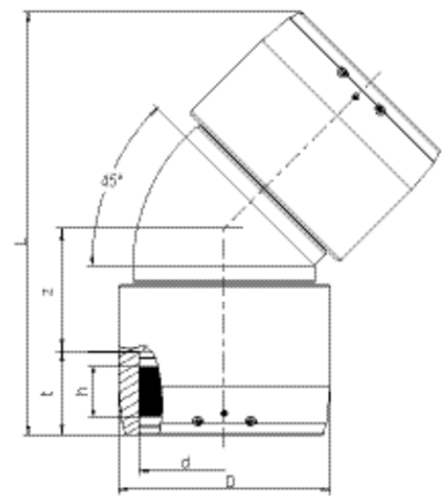
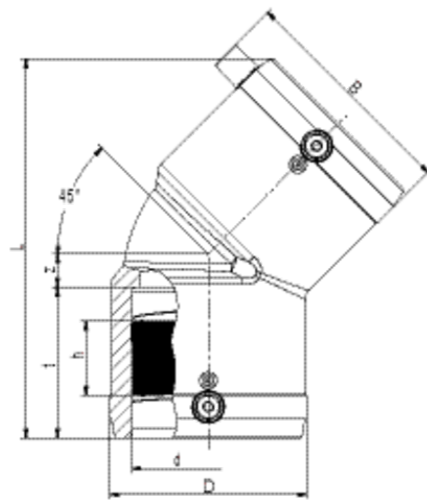


W45 SDR 11

Elbow 45°, SDR 11

Elbow W45 SDR 11

- Gas, water and H2
- Maximum pressure: Gas 10 bar, Water 16 bar
- Material: PE 100
- Angle 45 degrees
- Safety technology
- DVGW test mark: DV-8601AU2248, DV-8606AU2249 and DV-8611AU2250
- FM Approvals Class: 1613 (d 63 - d 225)



PE 100 SDR 11

Maximum permissible working pressure 16 bar (water) / 10 bar (gas)



Reference	d	B	D	h	L	t	z	Weight kg	BX	PU
616687	25	48	35	17	89	38	7	0,050	150	2400
612092	32	60	43	21	102	44	8	0,070	50	1600
612094	40	70	54	29	120	49	11	0,110	30	960
612096	50	80	66	32	136	54	13	0,175	20	640
612098	63	95	82	34	158	62	14	0,295	10	320
612100	75	111	96	38	198	70	29	0,520	14	252
612102	90	128	115	45	232	79	35	0,810	8	144
612104	110	150	138	50	265	85	41	1,320	10	80
612106	125	167	157	44	279	87	46	1,770	10	80
615275	160	210	207	44	377	92	88	4,410	4	32
615687	180	229	228	65	382	97	83	4,610	3	24
616264	200	256	254	54	415	106	87	6,760	1	18
615688	225	281	280	66	450	112	98	8,290	1	8
616404	250	-	310	80	621	128	176	17,300	1	6

W45 SDR 11

Elbow 45°, SDR 11

Reference	d	B	D	h	L	t	z	Weight kg	BX	PU
616405	280	-	350	84	702	139	205	25,600	1	4
616406	315	-	396	80	755	150	215	36,000	1	2

FRIALEN safety fittings can be fused with SDR11 - SDR17,6 pipes. For W 45 > d 225 separate fusion zones per socket side.

Minimum wall thickness s minimum ≥ 3 mm.

Other levels of SDR can be processed on request.

Please note the mandatory labels directly on the product.

DVGW test marks issued: DV-8601AU2248, DV-8606AU2249 and DV-8611AU2250

W45 SDR 11

Elbow 45°, SDR 11

Areas of Application

The FRIALEN-Elbow W45° is used for all changes of direction in HD-PE pipes.

Assembly Instructions

The fusion of the pipe ends with the FRIALEN-Elbows W45° takes place by FRIALEN-fusing – leakproof and longitudinally strong.

The pipe ends are prepared according to the general installation instructions (see Assembly Instructions for FRIALEN-Safety Fittings for house connections and distribution pipes up to d 225). This involves removing the oxide skin and cleaning the pipe ends.

Good reasons for using the FRIALEN-Elbows W45°:

- Large coupler depth for ease of pipe guiding (no holding clamps required)
- Extra wide fusion zones
- Maximum stability through great wall thickness
- Cold zones at the front side and in the middle of the coupler
- Exposed heating coil for direct heat transmission to the pipe
- Small annular gap for build-up of optimum joining pressure in the fusion zone
- Contacts safe to touch
- Fusion indicator for visual fusion control
- Durable batch marking
- Individually wrapped for dirt protection
- Additional barcode for tracing back the fitting (Traceability-Coding)