

SA

Saddle with spigot, SDR 11

Saddle with spigot SA SDR 11

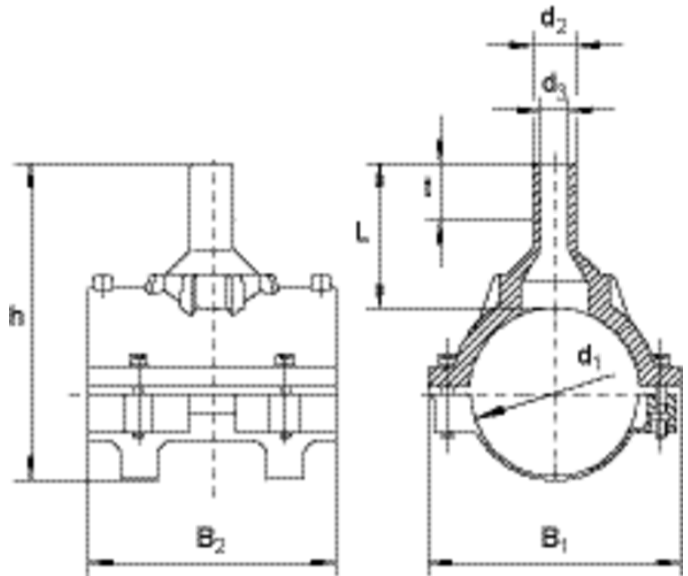
- Gas, water and H₂
- Maximum pressure: Gas 10 bar, Water 16 bar
- Material: PE 100
- Saddle component with clamp
- Tapping under pressure possible
- Safety technology
- DVGW test mark: DV-8601AU2248 and DV-8606AU2249.

Note:

For the pressure-free tapping, there is our drilling device FWAB.

For tapping under pressure, we recommend the drilling tool from Hütz & Baumgarten (www.huetz-baumgarten.de).

If required, please contact our hotline: +49 621 486-2325.



PE 100 SDR 11

Maximum permissible working pressure 16 bar (water) / 10 bar (gas)



| Reference | d ₁ | d ₂ | d ₃ | B1 | B2 | h | L | t | Drilling Ø d _a | Weight kg | BX | PU |
|-----------|----------------|----------------|----------------|-----|-----|-----|-----|----|------------------------------|-----------|----|-----|
| 612757 | 63 | 32 | 22 | 108 | 118 | 171 | 100 | 44 | 20 | 0,330 | 20 | 360 |
| 612759 | 63 | 50 | 37 | 108 | 118 | 184 | 113 | 55 | 36 | 0,370 | 20 | 360 |
| 615020 | 75 | 50 | 38 | 110 | 125 | 167 | 82 | 55 | 36 | 0,430 | 15 | 270 |
| 615285 | 90 | 32 | 21 | 155 | 150 | 207 | 103 | 44 | 20 | 0,700 | 20 | 160 |
| 612819 | 90 | 63 | 50 | 155 | 150 | 207 | 103 | 63 | 46 | 0,720 | 20 | 160 |
| 615334 | 110 | 32 | 24 | 178 | 180 | 238 | 125 | 51 | 20 | 0,788 | 12 | 96 |

SA

Saddle with spigot, SDR 11

| Reference | d ₁ | d ₂ | d ₃ | B1 | B2 | h | L | t | Drilling Ø d _a | Weight kg | BX | PU |
|-----------|----------------|----------------|----------------|-----|-----|-----|-----|----|------------------------------|-----------|----|----|
| 615031 | 110 | 50 | 39 | 178 | 180 | 245 | 132 | 60 | 36 | 0,816 | 12 | 96 |
| 612760 | 110 | 63 | 49 | 178 | 180 | 263 | 150 | 81 | 46 | 0,868 | 12 | 96 |
| 615411 | 110 | 90 | 70 | 165 | 190 | 228 | 115 | 79 | 65 | 0,960 | 12 | 96 |
| 615087 | 125 | 32 | 21 | 190 | 185 | 248 | 109 | 44 | 20 | 0,945 | 12 | 96 |
| 612761 | 125 | 63 | 47 | 190 | 185 | 248 | 109 | 63 | 46 | 0,990 | 12 | 96 |
| 615412 | 125 | 90 | 70 | 185 | 205 | 243 | 116 | 79 | 65 | 1,080 | 12 | 96 |
| 615584 | 125 | 110 | 86 | 185 | 205 | 243 | 116 | 82 | 84 | 1,150 | 10 | 80 |
| 612886 | 160 | 32 | 21 | 223 | 265 | 289 | 126 | 44 | 20 | 1,440 | 8 | 64 |
| 612762 | 160 | 63 | 47 | 223 | 265 | 303 | 140 | 63 | 46 | 1,520 | 6 | 48 |
| 615413 | 160 | 90 | 70 | 223 | 265 | 303 | 140 | 79 | 65 | 1,640 | 2 | 36 |
| 615739 | 160 | 110 | 86 | 223 | 265 | 303 | 140 | 82 | 84 | 1,765 | 2 | 36 |
| 615585 | 160 | 125 | 98 | 223 | 265 | 303 | 140 | 87 | 95 | 1,880 | 2 | 36 |
| 612763 | 180 | 63 | 47 | 240 | 195 | 291 | 109 | 63 | 46 | 1,190 | 6 | 48 |
| 615414 | 180 | 90 | 70 | 241 | 285 | 312 | 116 | 79 | 65 | 1,820 | 2 | 36 |
| 615948 | 180 | 110 | 86 | 241 | 285 | 319 | 136 | 82 | 84 | 1,960 | 2 | 36 |
| 615740 | 180 | 125 | 98 | 241 | 285 | 324 | 141 | 87 | 95 | 2,110 | 2 | 36 |
| 612764 | 200 | 63 | 47 | 250 | 195 | 311 | 109 | 63 | 46 | 1,260 | 5 | 40 |
| 612765 | 225 | 63 | 47 | 255 | 195 | 336 | 109 | 63 | 46 | 1,210 | 5 | 40 |
| 615415 | 225 | 90 | 70 | 284 | 279 | 358 | 130 | 79 | 65 | 1,950 | 5 | 40 |
| 616044 | 225 | 110 | 86 | 284 | 279 | 368 | 140 | 82 | 84 | 1,960 | 5 | 40 |
| 616045 | 225 | 125 | 97 | 284 | 279 | 374 | 146 | 87 | 95 | 2,240 | 4 | 32 |
| 616046 | 225 | 160 | 125 | 284 | 279 | 385 | 157 | 98 | 123 | 2,580 | 4 | 32 |

FRIALEN safety fittings can be fused with SDR levels 11 to 17.6. Saddle mouldings d 63 can only be fused with pipes of the SDR level 11. Minimum wall thickness s minimum ≥ 3 mm. Other levels of SDR can be processed on request. Please note the mandatory labels directly on the product. DVGW test marks issued: DV-8601AU2248 and DV-8606AU2249.

SA

Saddle with spigot, SDR 11

Areas of Application

The FRIALEN-Spigot Saddles SA are used for tapping of depressurised gas- and waterpipes as well as for pressure drainage. The branch line is connected with the outlet spigot by using a FRIALEN coupler UB.

Assembly Instructions

The fusion of the HD-PE distribution pipes and the house connections with FRIALEN-Spigot Saddles SA takes place by FRIALEN-fusing – leakproof and longitudinally strong.

The saddle and the outlet spigot have to be prepared according to the general installation instructions (see “Assembly Instructions” for “FRIALEN-Safety Fittings for house connections and distribution pipes up to d 225”). This involves removing the oxide skin and cleaning the pipes covered by the saddle and the coupler.

Swarfless tapping up to Ø 46 mm, from Ø 65 to Ø 123 mm extremely swarf-reduced by using the tapping equipment of Hütz + Baumgarten.

For pipes without pressure spigot saddles SA can be used as a T-piece with a reduced outlet.

For tapping the main line under operating pressure, please contact our Application Engineering Department.

Good reasons for using the FRIALEN-SA:

- Compact construction
- exposed heating element for optimal heat transfer
- Preassembled unit without loose parts
- Nearly swarfless tapping by tapping equipment of Hütz + Baumgarten
- Low tapping power
- Burr - and nearly ledge - free tapping for a maximum of hydraulic power.
- Leakage free tapping possible by means of a shut off element
- Extra wide fusion zone
- Additional barcode for tracing back the fitting (Traceability-Coding)