

DK

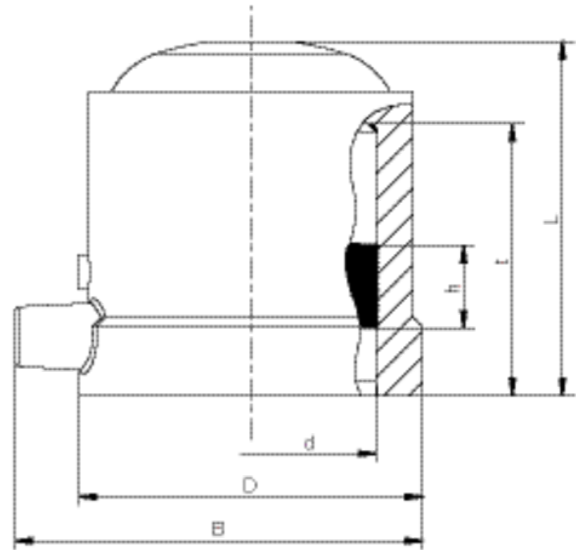
Cap for tapping tees, SDR 11

Cap for tapping tees DK SDR 11

- Gas, water and H2
- Maximum pressure: Gas 10 bar, Water 16 bar
- Material: PE 100
- Safety technology
- DVGW test mark: DV-8601AU2248

Note:

When using hydrogen (H2), the tapping tees DAA, DAA TL and DAP must be fitted with a closure cap DK.



PE 100 SDR 11

Maximum permissible working pressure 16 bar (water) / 10 bar (gas)



Reference	d	B	D	h	L	t	Weight kg	BX	PU
612310	50	82	69	28	72	55	0,110	30	960

FRIALEN safety fittings can be fused with pipes with SDR levels 11 to 17.6. Minimum wall thickness s minimum ≥ 3 mm. Other levels of SDR can be processed on request. Please note the mandatory labels directly on the product. DVGW test mark issued: DV-8601AU2248

DK

Cap for tapping tees, SDR 11

Areas of Application

The FRIALEN-Cap is used for final sealing of the drill socket (dome) of a Pressure Tapping Tee DAA \geq d 90/xx or SPA d 63. Also suitable as a sealing cap for d 50 pipes.

Assembly Instructions

The fusion of the dome of a FRIALEN-Pressure Tapping Tee with the FRIALEN-Cap K takes place by FRIALEN-fusing – leakproof and longitudinally strong.

The dome is prepared according to the general installation instructions (see "Assembly Instructions" for "FRIALEN-Safety Fittings for house connections and distribution pipes up to d 225").

Good reasons for using the FRIALEN-Cap DK:

- Large insertion depth for ease of pipe guiding
- Maximum stability through great wall thickness
- Cold zones at the end to prevent the flow of molten material
- Exposed heating coils for optimal heat transfer to the pipe
- Small annular gap for build-up of optimum joining pressure in the fusion zone
- Contacts safe to touch
- Durable batch marking
- Individually wrapped for dirt protection
- Additional barcode for tracing back the fitting (Traceability-Coding)