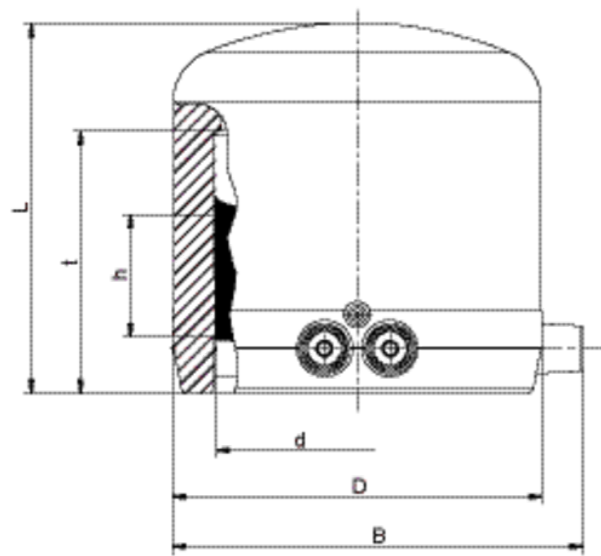


# MV SDR 11

## Cap, SDR 11

Cap MV SDR 11

- Gas, water and H<sub>2</sub>
- Maximum pressure: Gas 10 bar, Water 16 bar
- Material: PE 100
- Safety technology
- DVGW test mark: DV-8601AU2248 and DV-8606AU2249
- FM Approvals Class: 1613 (d 63 - d 225)



PE 100 SDR 11

Maximum permissible working pressure 16 bar (water) / 10 bar (gas)



| Reference | d   | SDR range | B     | D     | h    | L   | t   | Weight kg | BX | PU   |
|-----------|-----|-----------|-------|-------|------|-----|-----|-----------|----|------|
| 612025    | 20  | 11 - 17,6 | 46    | 31    | 22   | 62  | 41  | 0,035     | 50 | 2500 |
| 612026    | 25  | 11 - 17,6 | 51    | 35    | 22   | 65  | 41  | 0,040     | 50 | 2500 |
| 612027    | 32  | 11 - 17,6 | 61    | 44    | 24   | 70  | 44  | 0,060     | 60 | 1920 |
| 612028    | 40  | 11 - 17,6 | 70    | 55    | 28   | 75  | 49  | 0,090     | 50 | 1600 |
| 612029    | 50  | 11 - 17,6 | 80    | 67    | 30   | 80  | 55  | 0,125     | 30 | 960  |
| 612030    | 63  | 11 - 17,6 | 96    | 84    | 31   | 88  | 63  | 0,210     | 20 | 640  |
| 612031    | 75  | 11 - 17,6 | 110   | 99    | 31   | 99  | 70  | 0,320     | 20 | 640  |
| 612032    | 90  | 11 - 17,6 | 130   | 118   | 40   | 114 | 79  | 0,500     | 16 | 288  |
| 612033    | 110 | 11 - 17,6 | 153   | 143   | 34   | 125 | 82  | 0,825     | 12 | 216  |
| 612034    | 125 | 11 - 17,6 | 168   | 163   | 42   | 135 | 87  | 1,160     | 8  | 144  |
| 612035    | 160 | 11 - 17,6 | 210   | 208   | 54   | 160 | 98  | 2,240     | 10 | 60   |
| 616183    | 180 | 11 - 17,6 | 225,5 | 224   | 46,5 | 157 | 100 | 2,180     | 6  | 48   |
| 616184    | 200 | 11 - 17,6 | 253   | 250,6 | 48   | 167 | 103 | 3,000     | 4  | 32   |

# MV SDR 11

## Cap, SDR 11

| Reference | d   | SDR range | B     | D   | h  | L   | t   | Weight kg | BX | PU |
|-----------|-----|-----------|-------|-----|----|-----|-----|-----------|----|----|
| 616185    | 225 | 11 - 17,6 | 281,6 | 279 | 48 | 184 | 114 | 3,970     | 4  | 32 |

FRIALEN safety fittings can be fused with SDR11 - SDR17.6 pipes. Other levels of SDR can be processed on request. Please note the mandatory labels directly on the product. DVGW test marks issued: DV-8601AU2248 and DV-8606AU2249

# MV SDR 11

## Cap, SDR 11

### Areas of Application

The FRIALEN-End Caps MV are used to close HD-PE pipe ends.

Also recommended as fused caps (d32 and d40) for the dome of FRIALEN-Pressure Tapping Tees DAA and DAP up to d63.

### Assembly Instructions

The fusion of a pipe end or the dome of a FRIALEN-Pressure Tapping Tee with the FRIALEN-End Cap MV takes place using FRIALEN-fusing – leakproof and longitudinally strong.

The fusion area is prepared according to the general installation instructions (see "Assembly Instructions" for "FRIALEN-Safety Fittings for house connections and distribution pipes up to d 225"). This involves removing the oxide skin and cleaning the pipe ends. Next to moulded fittings and accessories it is recommended to install a piece of pipe of 20 - 60 cm length, accordingly to the diameter, so that the pipeline can be continued later on.

### Good reasons for using the FRIALEN-End Caps MV:

- Large coupler depth for ease of pipe guiding (no holding clamps required)
- Extra wide fusion zones
- Maximum stability through great wall thickness
- Cold zones at the front side and in the middle of the coupler
- Exposed heating coil for direct heat transmission to the pipe
- Small annular gap for build-up of optimum joining pressure in the fusion zone
- Touch proof electric contacts
- Fusion indicator for visual fusion control
- Durable batch marking
- Individually wrapped for dirt protection
- Additional barcode for tracing back the fitting (Traceability-Coding)