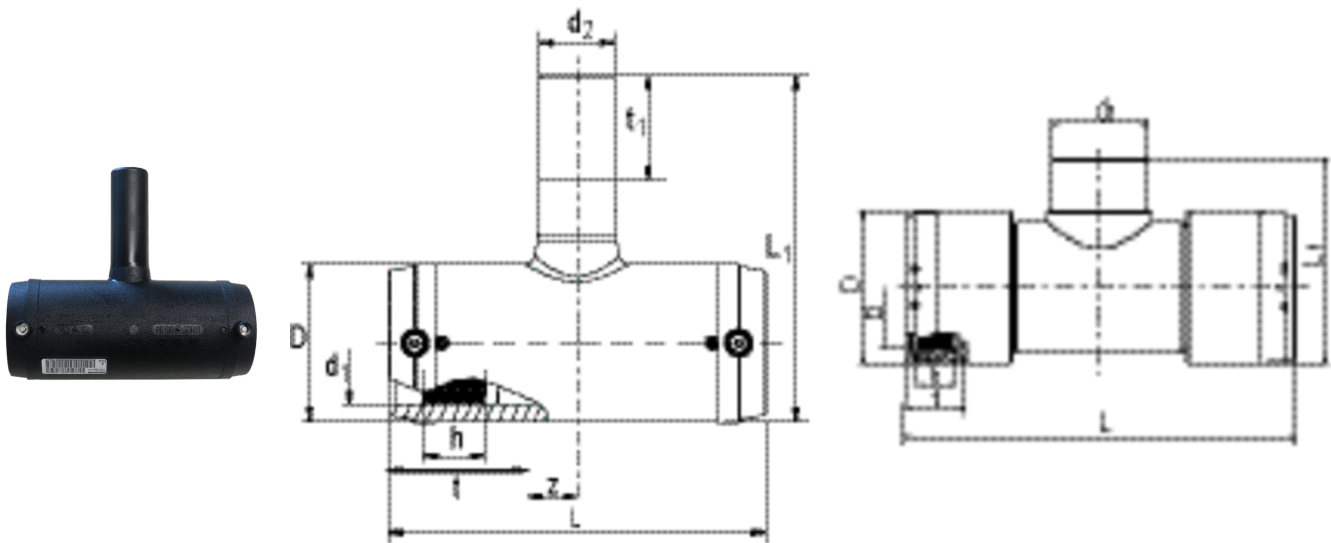


TA RED SDR 11

T-piece with reduced spigot, SDR 11

T-piece TA RED SDR 11 with reduced spigot

- Gas, water and H2
- Maximum pressure: Gas 10 bar, Water 16 bar
- Material: PE 100
- Reduced spigots
- Safety technology
- DVGW test mark: DV-8601AU2248, DV-8606AU2249 and DV-8611AU2250



With long outlet spigot



Reference	d ₁	d ₂	B	D	h	L	L ₁	t	t ₁	z	Weight kg	BX	PU
616417	32	20	62	46	22	116	117	44	42	14	0,110	30	540
616418	40	32	70	55	25	146	148	46	51	28	0,170	20	360
616419	50	32	82	69	28	175	158	55	51	33	0,295	10	180
616420	50	40	82	69	28	175	167	55	55	33	0,315	10	180
616421	63	32	96	84	32	197	173	63	51	36	0,435	10	180
616422	63	40	96	84	32	197	182	63	55	36	0,450	10	180
616423	63	50	96	84	32	197	197	63	60	36	0,490	10	180

FRIALEN safety fittings can be fused with SDR11 - SDR17.6 pipes.

Minimum wall thickness s minimum ≥ 3 mm.

Other levels of SDR can be processed on request.

Please note the mandatory labels directly on the product.

TA RED SDR 11

T-piece with reduced spigot, SDR 11

DVGW test mark issued: DV-8601AU2248, DV-8606AU2249 and DV-8611AU2250.

Dimension B = Diameter D with contact pin

With standard outlet spigots



Reference	d ₁	d ₂	B	D	h	L	L1	t	t ₁	z	Weight kg	BX	PU
616675	90	32	126	116	43	280	172	79	44	61	1,050	17	136
616676	90	63	126	116	43	280	191	79	63	61	1,100	15	120
616678	110	63	148	141	48	310	216	82	63	73	1,700	8	64
616679	110	90	148	141	48	310	244	82	79	73	1,850	8	64
616681	160	90	205	203	45	390	305	98	79	97	4,400	4	32
616682	160	110	205	203	45	390	308	98	82	97	4,500	4	32
616683	160	125	205	203	45	390	313	98	87	97	4,600	3	24
617174	180	125	228	223	49,9	495	357	105	87	143	7,050	2	16
617176	200	90	250	247	50,3	540	360	112	79	158	8,250	1	8
617177	200	110	250	247	50,3	540	370	112	82	158	7,720	1	8
617178	200	160	250	247	50,3	540	401	112	98	158	9,750	1	8
617180	225	90	281	278	61,2	590	389	120	79	175	11,200	1	8
617181	225	110	281	278	61,2	590	399	120	82	175	11,900	1	8
617182	225	160	281	278	61,2	590	430	120	98	175	13,050	1	8
616427	250	225	-	310	80	770	440	128	-	254	23,500	1	2
616429	280	225	-	350	84	905	475	139	-	312	35,500	1	2
616431	315	225	-	396	80	940	525	150	-	359	43,500	1	2

FRIALEN safety fittings can be fused with SDR11 - SDR17.6 pipes.

Minimum wall thickness s minimum ≥ 3 mm.

Other levels of SDR can be processed on request.

Please note the mandatory labels directly on the product.

DVGW test mark issued: DV-8601AU2248, DV-8606AU2249 and DV-8611AU2250.

Dimension B = Diameter D with contact pin

TA RED SDR 11

T-piece with reduced spigot, SDR 11

Areas of Application

The FRIALEN reduced TA red pieces are used for pipe outlets of HD-PE pipelines.

Assembly Instructions

The fusion of the pipe ends with the FRIALEN TA red takes place by FRIALEN-fusing – leakproof and longitudinally strong.

The pipe ends are prepared (removing the oxide layer/cleaning) according to the general installation instructions (see "Assembly Instructions" for "FRIALEN-Safety Fittings for house connections and distribution pipes up to d 225").

Good reasons for using the FRIALEN TA red:

- Large coupler depth for ease of pipe guiding (no holding clamps required)
- At dim. up to d₁ 63, Length of outlet spigot dimensioned for two fusion operations
- Extra wide fusion zones
- Maximum stability through great wall thickness
- Cold zones at the front side and in the middle of the coupler
- Exposed heating coil for direct heat transmission to the pipe
- Small annular gap for build-up of optimum joining pressure in the fusion zone
- Touch proof electric contacts
- Durable batch marking
- Individually wrapped for dirt protection
- Additional barcode for tracing back the fitting (Traceability-Coding)