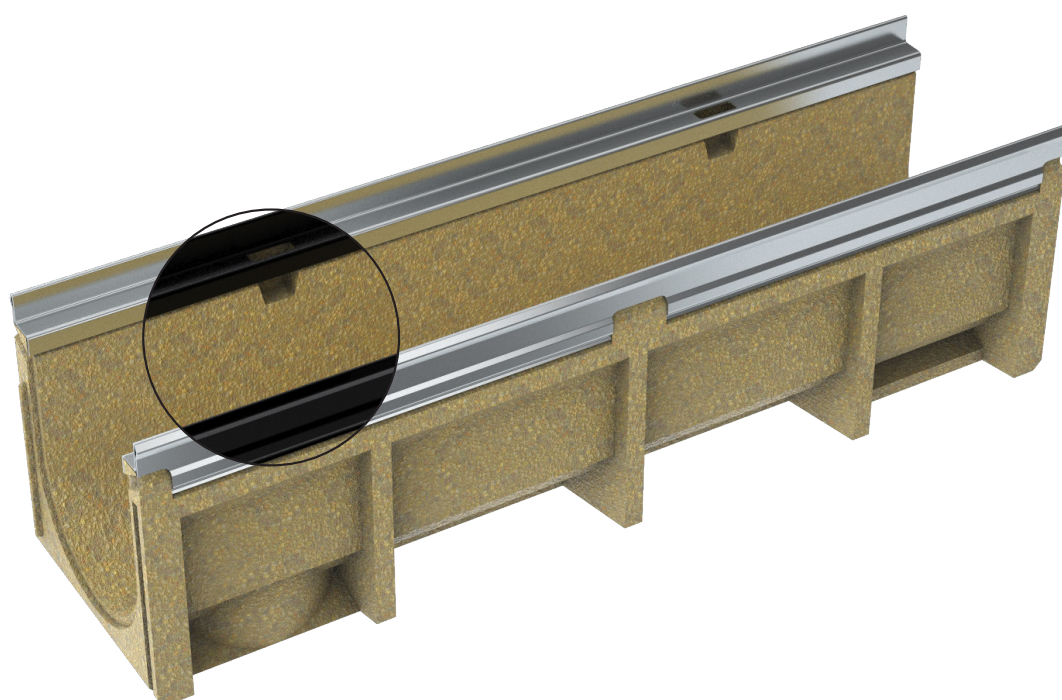


# ANRIN

LEADING WATER



## Technical data sheet

Reinforced edge channels  
KE-200

# Technical data sheet

## ANRIN DRAIN Reinforced edge channels KE-200

Channel drainage for the load classes A 15 to E 600

According to DIN 19580 / EN 1433 "Drainage channels for vehicular and pedestrian areas", these surfaces are as-signed to specific load classes depending on the use. Accordingly, the respective suitable ANRIN reinforced edge system can be selected with the corresponding cover grating.

## Product specifications

Product specifications	
Material	Resin concrete
Length	50 cm and 100 cm
Width	26.4 cm
Height	13.0 cm, 29.0 cm
Weight	24,0 - 45,0 kg
Edge type	Steel edge rail, 6 mm edge width; galvanised or stainless steel
Nominal width	200 mm
Load class	A15 to E600*
Slope type	Constant invert
Joint type	UNILINK®-joint
Fastening	SnapLock fastening

## Material properties

Channel / component body	
Polymer concrete	polyester resin-based with mineral aggregates, additives
Compressive strength	$\geq 90 \text{ N/mm}^2$
Bending tensile strength	$\geq 22 \text{ N/mm}^2$
Modulus of elasticity	ca. $25 \text{ kN/mm}^2$
Density	2,1 – 2,3 g/dm <sup>3</sup>
Heat resistance	100° C (Dauerbelastung)
Frost resistance	- 50° C
Water penetration depth	0 mm
Water absorption	0,05 %
Edge protection	
Edge protection	Galvanised steel, stainless steel, profile thickness 6 mm
Channel cover	
Channel cover	Galvanised steel, V2A stainless steel, GJS cast-iron

# Technical data sheet

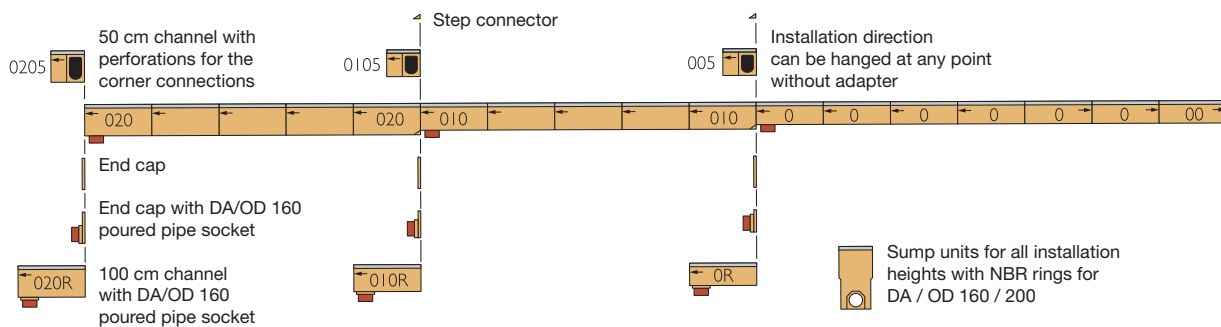
## ANRIN DRAIN Reinforced edge channels

### Slope types

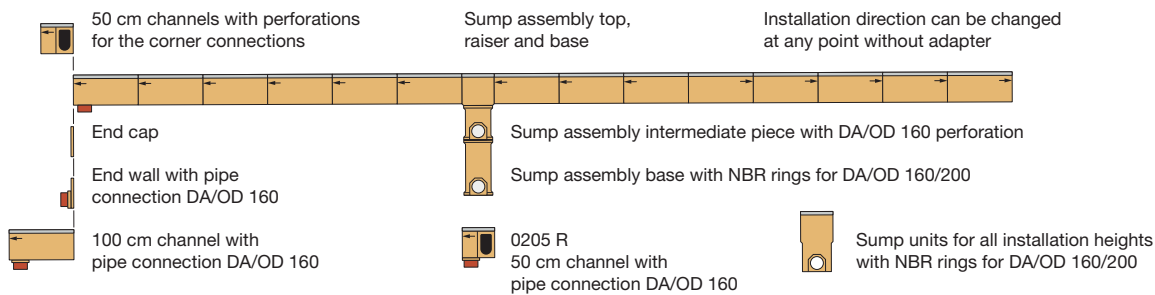
Area drainage with channel runs is normally made according to 3 different principles. The slope of water surface is achieved by the natural fall of the land. The water flows downwards with the gradient of the water level. A stepped invert is realised by an artificial gradient which is formed by the installation of stepped-height channels and connectors. The high flow rate with self-cleaning effect can be achieved with channels in natural slope.

All slope types can be combined according to hydraulic requirements and topographical conditions.

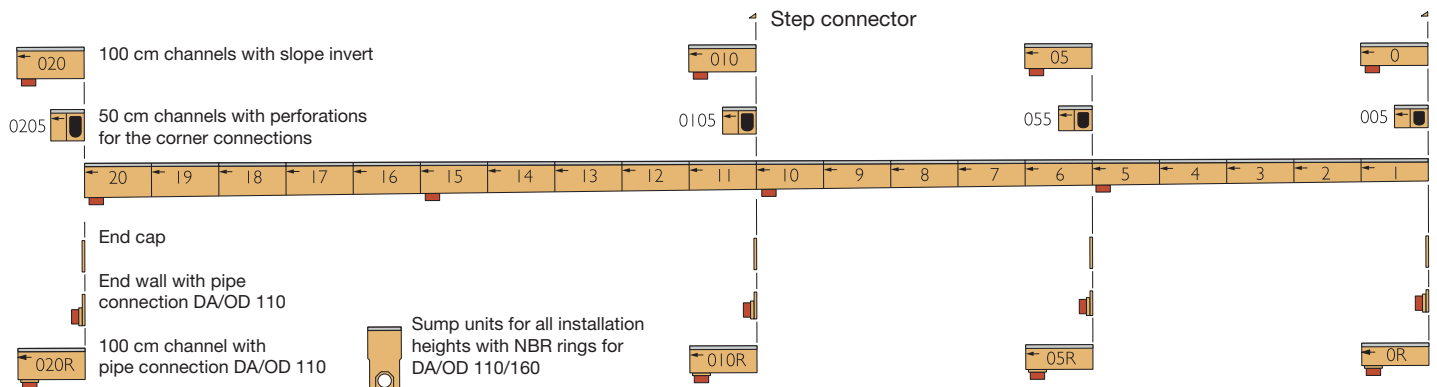
### Stepped invert



### Constant invert



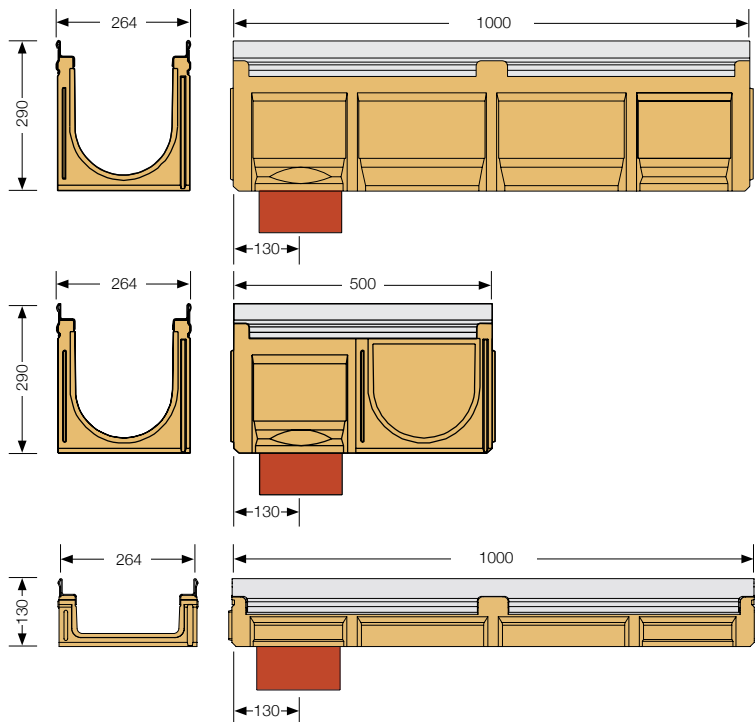
### Slope invert



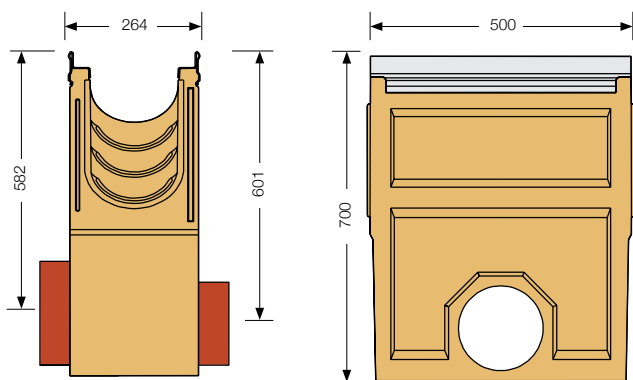
# Technical data sheet

## ANRIN DRAIN Reinforced edge channels KE-200

### Channel dimensions



### Accessories dimensions



# Technical data sheet

## ANRIN DRAIN Reinforced edge channels KE-200

### Channel types – KE-200 with galvanised steel edge rail

Article no.	EAN	Designation		Slope %	Length cm	Width cm	Height cm	Weight kg
01120000	4026857011705	KE-200 Channel No.	0*	0	100	26.4	29.0	43.0
01120020	4026857011712	KE-200 Channel No.	0R***	0	100	26.4	29.0	43.0
01120050	4026857011729	KE-200 Channel No.	005**/*	0	50	26.4	29.0	24.9
01121000	4026857023548	KE-200 Channel No.	010	0	100	26.4	34.0	38.0
01124000	4026857018179	KE-200 Channel No.	200P****	0	100	26.4	13.0	22.2
01124010	4026857018186	KE-200 Channel No.	200PR*****	0	100	26.4	13.0	22.2
01120240	4026857032212	KE-200 Channel No.	0240	0	100	26.4	24.0	31.0

\* Channel with mouldings for vertical outlet DA/OD 160

\*\* Channel with sidewise perforations for the connection of t-junctions, elbow joints and cross- over joints and vertical outlet

\*\*\* Channel with vertical pipe socket DA/OD 160

\*\*\*\* Channel with mouldings for vertical outlet DA/OD 110

\*\*\*\*\* Channel with vertical pipe socket DA/OD 110

### Accessories – KE-200 with galvanised steel edge rail

Article no.	EAN	Designation		Length cm	Width cm	Height cm	Weight kg
01126000	4026857019107	KE-200 Sump unit with galvanised mud bucket		50	26.4	70	59.8
03206810	4026857012450	Pipe socket DA/OD 160					0.6
03206820	4026857012702	Pipe socket DA/OD 200					0.8
03227050	4026857018735	KE-200 Closed end cap for No.		0			3.8
03227400	4026857020233	KE-200 Closed end cap for No.		200P			2.8
03227000	4026857012610	KE-200 Closed end cap for No.		010			
03228000	4026857012634	KE-200 End cap with pipe socket DA/OD 160 for No.		0			3.5
03228100	4026857019138	KE-200 End cap with pipe socket DA/OD 160 for No.		010			5.0
03228500	4026857012641	KE-200 End cap with pipe socket DA/OD 70 for No.		200P			1.7

# Technical data sheet

## ANRIN DRAIN Reinforced edge channels KE-200

### Channel types – KE-200 with stainless steel edge rail

Artikel Nr.	EAN	Beschreibung		Gefälle %	Länge cm	Breite cm	Höhe cm	Gewicht kg
01420000	4026857018988	KE-200 Channel No.	0*	0	100	26.4	29.0	43.0
01420020	4026857018995	KE-200 Channel No.	0R***	0	100	26.4	29.0	43.0
01420050	4026857019008	KE-200 Channel No.	005**/*	0	50	26.4	29.0	24.9
01421000	4026857032236	KE-200 Channel No.	010	0	100	26.4	34.0	38.0
01424000	4026857019022	KE-200 Channel No.	200P****	0	100	26.4	13.0	22.2
01424010	4026857019039	KE-200 Channel No.	200PR*****	0	100	26.4	13.0	22.2
01420240	4026857032243	KE-200 Channel No.	0240	0	100	26.4	24.0	31.0

\* Channel with mouldings for vertical outlet DA/OD 160

\*\* Channel with sidewise perforations for the connection of t-junctions, elbow joints and cross- over joints and vertical outlet

\*\*\* Channel with vertical pipe socket DA/OD 160

\*\*\*\* Channel with mouldings for vertical outlet DA/OD 110

\*\*\*\*\* Channel with vertical pipe socket DA/OD 110

### Accessories – KE-200 with stainless steel edge rail

Article no.	EAN	Designation		Length cm	Width cm	Height cm	Weight kg
01426000	4026857019114	KE-200 Sump unit with galvanised mud bucket		50	26.4	70	59.8
03206810	4026857012450	Pipe socket DA/OD 160					0.6
03206820	4026857012702	Pipe socket DA/OD 200					0.8
01427000	4026857019053	KE-200 Closed end cap for No.	0				3.8
01427400	4026857020424	KE-200 Closed end cap for No.	200P				
01427010	4026857032250	KE-200 Closed end cap for No.	010				
01428000	4026857019060	KE-200 End cap with pipe socket DA/OD 160 for No.	0				3.5
01428100	4026857032380	KE-200 End cap with pipe socket DA/OD 160 for No.	010				
01428500	4026857020431	KE-200 End cap with pipe socket DA/OD 70 for No.	200P				

# Technical data sheet

## ANRIN DRAIN Reinforced edge channels KE-200

### Cover gratings – KE-200



Mesh grating

stainless steel, galvanised  
Length: 50 cm, 100 cm  
MW 30 x 20 mm, MW 20 x 20 mm

Load classes:  
**C250, D400\***



Slotted grating HEELGUARD

cast iron, cataphoretic dip coating (coated in black)  
Length: 50 cm,  
SW 6 mm

Load classes:  
**D400\***



Slotted cast iron grating Oval Grip Design

cast iron, cataphoretic dip coating  
Length: 50 cm,  
SW 12 mm

Load classes:  
**D400\*, E600\***

\* Ausnahme: Keine Querentwässerung von stark befahrenen Straßen / SW = Schlitzweite / MW = Maschenweite

# Technical data sheet

## ANRIN DRAIN Reinforced edge channels KE-200

### Cover gratings cl. **C250** with SnapLock fastening

Article no.	EAN	Designation	Length cm	Width cm	Inlet Ø cm <sup>2</sup> /m	Weight kg
01124500	4026857013242	Mesh grating, galvanised steel, MW 30 x 20	100	25	1640	10.8
01124520	4026857011750	Mesh grating, galvanised steel, MW 30 x 20	50	25	1640	5.2
01124540	4026857017707	Mesh grating, stainless steel, MW 30 x 20	100	25	1640	9.7
01124560	4026857017714	Mesh grating, stainless steel, MW 30 x 20	50	25	1640	5.1

### Cover gratings cl. **D400**<sup>1</sup> with SnapLock fastening

Artikel Nr.	EAN	Beschreibung	Länge cm	Breite cm	Einlauf Ø cm <sup>2</sup> /m	Gewicht kg
01125300	4026857021810	Mesh grating, galvanised steel, MW 20 x 20	100	25	1566	13.8
01125320	4026857021827	Mesh grating, galvanised steel, MW 20 x 20	50	25	1566	6.8
01125400	4026857021834	Mesh grating, stainless steel, MW 20 x 20	100	25	1566	12.6
01125420	4026857021841	Mesh grating, stainless steel, MW 20 x 20	50	25	1566	6.5
01125220	4026857011644	Slotted cast iron grating with OvalGrip Design, cast iron GJS	50	25	990	11.5
01125230	4026857030065	Slotted grating, HEELGUARD, cast iron, coated in black	50	25	560	9.3

### Cover gratings cl. **E600**<sup>1</sup> with SnapLock fastening

Article no.	EAN	Designation	Length cm	Width cm	Inlet Ø cm <sup>2</sup> /m	Weight kg
01125120	4026857011798	Slotted cast iron grating with OvalGrip Design, cast iron GJS	50	25	990	11.9

<sup>1</sup> Exception: Cross-road drainage of busy roads



# Technical data sheet

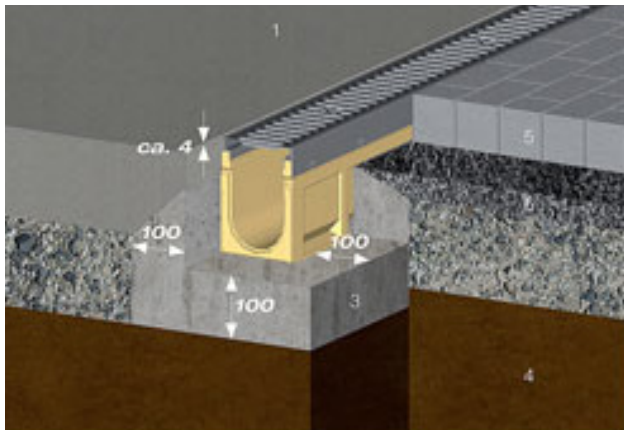
## ANRIN DRAIN Reinforced edge channels

### Example installations

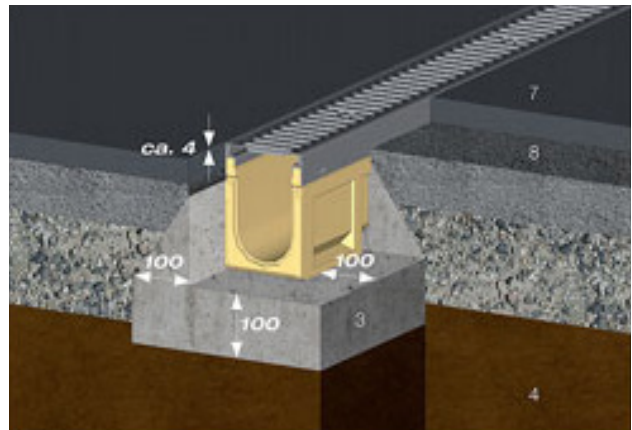
The following installation guidelines are schematic representations. These are provided as examples and are non-binding. The information provided here is based on our long-term experience in excavation and road construction as well as the state-of-the-art technology. Despite this, designers and planners are always obligated to check the products and the installation instructions for their appropriateness. The example details are simplified recommendations for execution. Constructions are to be re-created on a project-specific basis.

Important: Insert gratings for the installation.

### Load class A 15

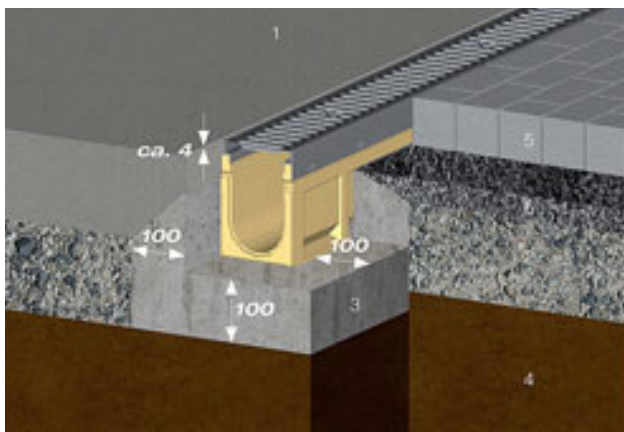


Road concrete and / or concrete sheets or paving bed

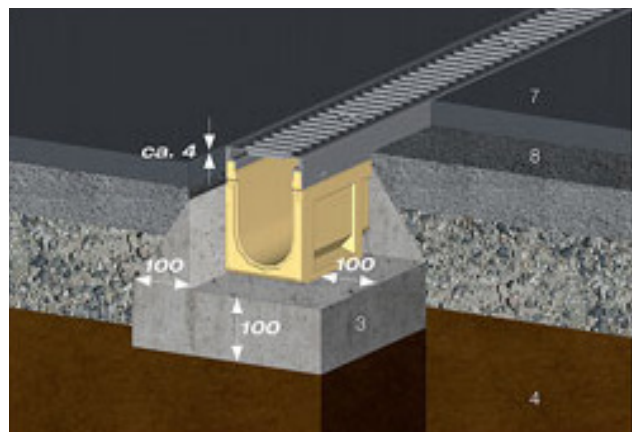


Cast asphalt

### Load class B125



Road concrete and / or concrete sheets or paving bed



Cast asphalt

- 1 In-situ road concrete
- 2 Base course
- 3 Concrete cladding of the channel body B 25  
Concrete class C12/15 (A 15 – C 250)  
Concrete class C12/25 (D 400 – E 600)
- 4 Foundation, mature soil
- 5 Prefabricated concrete sheets and / or stone systems

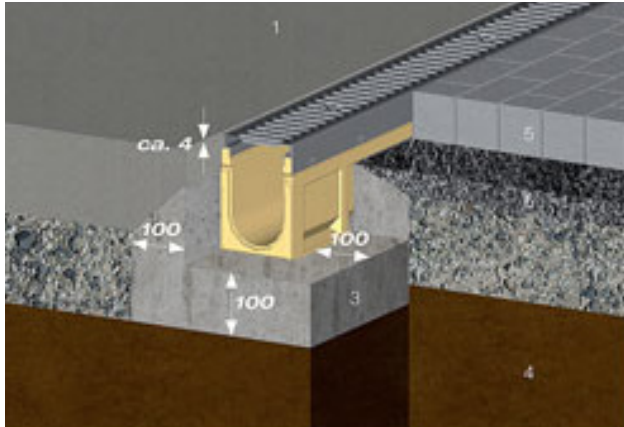
- 6 Paving bed
- 7 Wearing course
- 8 Bonding course
- 9 Bitumen base course

All length specifications in millimetres

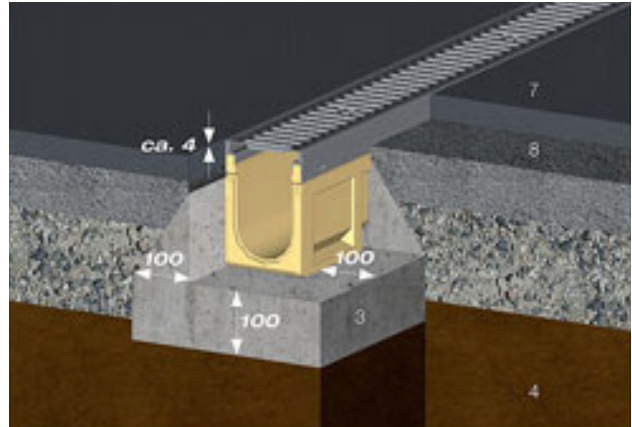
# Technical data sheet

## ANRIN DRAIN Reinforced edge channels

### Load class **A 15**

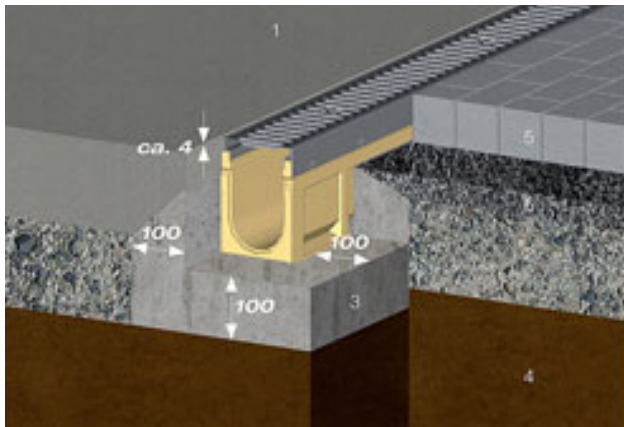


Road concrete and / or concrete sheets or paving bed

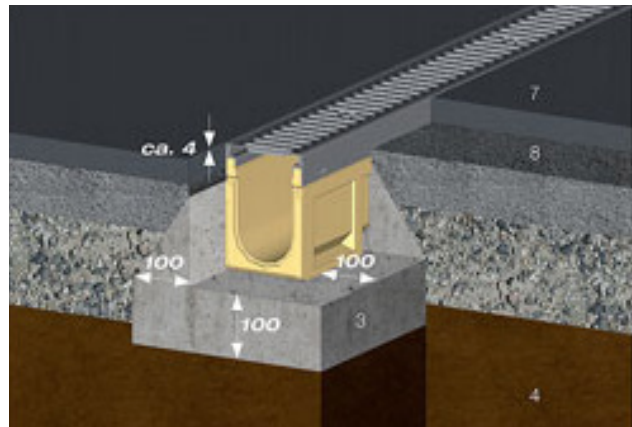


Cast asphalt

### Load class **B 125**



Road concrete and / or concrete sheets or paving bed



Cast asphalt

- 1 In-situ road concrete
- 2 Base course
- 3 Concrete cladding of the channel body B 25  
Concrete class C12/15 (A 15 – C 250)  
Concrete class C12/25 (D 400 – E 600)
- 4 Foundation, mature soil
- 5 Prefabricated concrete sheets and / or stone systems

- 6 Paving bed
- 7 Wearing course
- 8 Bonding course
- 9 Bitumen base course

All length specifications in millimetres

### Guidelines and regulations

DIN EN 1433	"Drainage channels for vehicular and pedestrian areas"
DIN 19580	"Drainage channels for vehicular and pedestrian areas ..."
RStO	"Guidelines for the standardisation of the superstructure of vehicular areas"
DIN EN 206-1	"Concrete. Specification, performance, production and conformity"
DIN EN 1045-2	"Concrete, reinforced and prestressed concrete structures. Part 2: Concrete – Specification, properties, production and conformity; Application rules for DIN EN 206-1"



ANRIN GmbH  
Siemensstr. 1  
59609 Anröchte  
Germany

+49 (0) 29 47.97 81-0  
[www.anrin.com](http://www.anrin.com)  
[info@anrin.com](mailto:info@anrin.com)