

ANRIN

LEADING WATER



Technical data sheet

Heavy duty channels
SF-300

Technical data sheet

ANRIN DRAIN heavy duty channels SF-300

Channel drainage for the load classes D 400 to F 900

According to DIN 19580 / EN 1433 "Drainage channels for vehicular and pedestrian areas", these surfaces are assigned to specific load classes depending on the use. Accordingly, the respective suitable ANRIN heavy duty system can be selected with the appropriate cover grating.

Product specifications

Product specifications	
Material	Resin concrete
Length	50 cm and 100 cm
Width	26.4 cm
Height	39.0 cm
Edge type	GJS cast edge rail
Nominal width	300 mm
Load class	D400* and F900* (no cross-road drainage of busy roads)
Slope type	Constant invert
Joint type	UNILINK®-joint
Fastening	RapidLock fastening

Material properties

Channel / component body	
Polymer concrete	polyester resin-based with mineral aggregates, additives
Compressive strength	≥ 90 N/mm ²
Bending tensile strength	≥ 22 N/mm ²
Modulus of elasticity	ca. 25 kN/mm ²
Density	2,1 – 2,3 g/dm ³
Heat resistance	100° C (permanent loading)
Frost resistance	- 50° C
Water penetration depth	0 mm
Water absorption	0,05 %
Edge protection	
Edge protection	Cast iron GJS
Channel cover	
Channel cover	Cast iron GJS

Technical data sheet

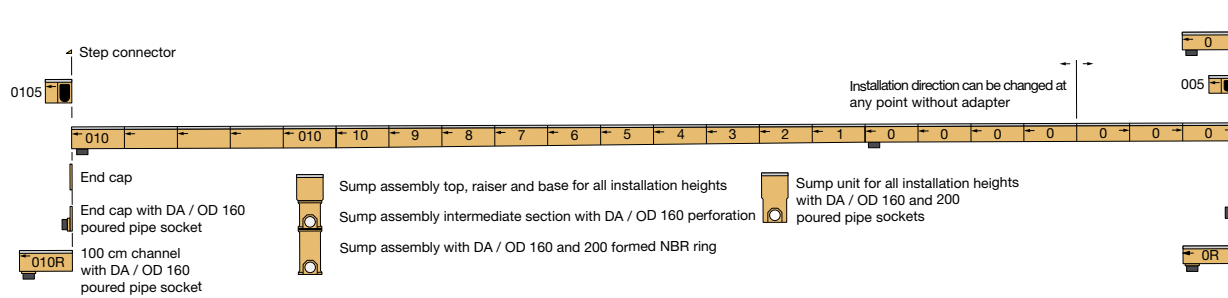
ANRIN DRAIN heavy duty channels

Slope types

Area drainage with channel runs is normally made according to 3 different principles. The slope of water surface is achieved by the natural fall of the land. The water flows downwards with the gradient of the water level. A stepped invert is realised by an artificial gradient which is formed by the installation of stepped-height channels and connectors. The high flow rate with self-cleaning effect can be achieved with channels in natural slope.

All slope types can be combined according to hydraulic requirements and topographical conditions.

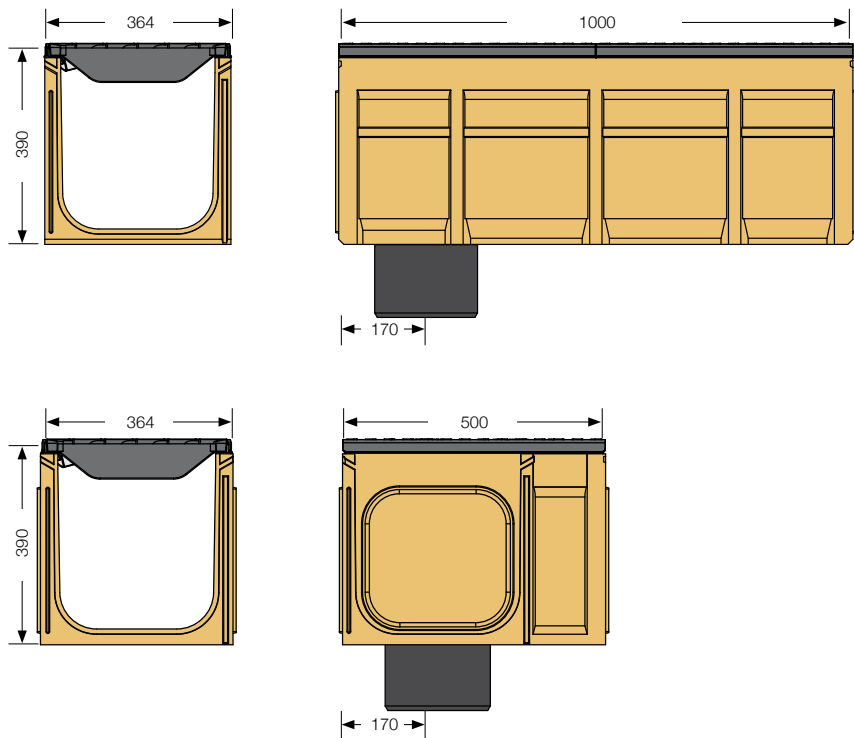
Example - Constant invert



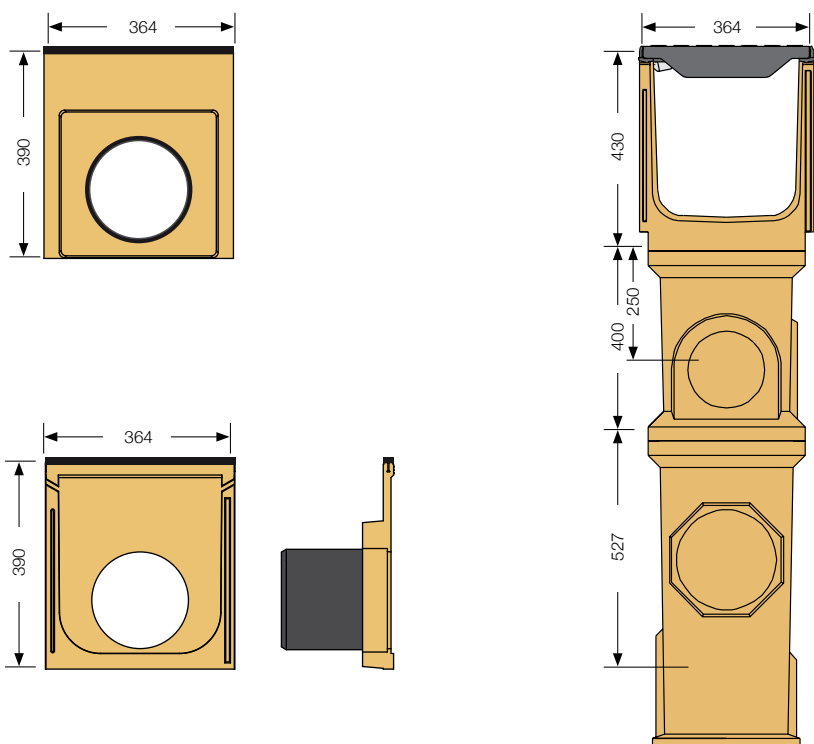
Technical data sheet

ANRIN DRAIN heavy duty channels SF-300

Channel dimensions



Accessories dimensions



Technical data sheet

ANRIN DRAIN heavy duty channels SF-300

Channel types - heavy duty channels SF-300
with UNILINK-joint system and RapidLock fastening channels
with black cataphoretic dip coated steel edge rail

Article no.	EAN	Designation	Slope %	Length cm	Width cm	Height cm	Weight kg
03230001	4026857022374	Channel SF-300*		100	36.4	39.0	64.0
03230011	4026857022381	Channel SF-300R***		100	36.4	39.0	64.0
03230051	4026857022398	Channel SF-300/5**		50	36.4	39.0	35.0
03234001	4026857026365	Channel SF-300P*		100	36.4	16.0	46.0
03234011	4026857026372	Channel SF-300PR***		100	36.4	16.0	46.0

* Channel with mouldings for vertical outlet DA/OD 200

** Channel with sidewise perforations for the connection of t-junctions, elbow joints and cross-over joints

*** Channel with DA/OD 200 poured pipe socket

Technical data sheet

ANRIN DRAIN heavy duty channels SF-300

Accessories - heavy duty channels SF-300 with UNILINK-joint system and RapidLock fastening channels with black cataphoretic dip coated steel edge rail

Article no.	EAN	Designation	Length cm	Width cm	Height cm	Weight kg
03236121	4028657022424	Sump assembly top SF-300 with galvanised mud bucket	50	36.4	39.0	30.0
03236131	4028657022455	Sump assembly top with mud bucket + closed end cap	54	36.0	43.0	49.0
03236140	4026857012689	Sump assembly raiser for stacking	48	33.0	40.0	24.4
03236160	4026857012696	Sump assembly base	48	33.0	64.5	43.2
03206810	4026857012450	Pipe socket DA/OD 160				0.6
03206820	4026857012702	Pipe socket DA/OD 200				0.8
03237010	4026857029540	SF-300 Closed end cap for channel SF-300				5.2
03237410	4026857029557	SF-300 Closed end cap for channel SF-300P				2.4
03238010	4026857029564	SF-300 End cap with pipe socket DA/OD 200 for channel SF-300				9.1

Cover grating



Oval Grip slotted
cast iron grating

Cover gratings cl. D400¹ with RapidLock fastening

Article no.	EAN	Designation	Length cm	Width cm	Inlet Ø cm ² /m	Weight kg
03234500	4026857022398	Slotted cast iron with OvalGrip Design, Cast iron GJS	50	34.3	1346	23.8

Cover gratings cl. F900¹ with RapidLock fastening

Article no.	EAN	Designation	Length cm	Width cm	Inlet Ø cm ² /m	Weight kg
03234520	4026857022404	Slotted cast iron with OvalGrip Design, Cast iron GJS	50	34.3	1346	28.5

¹Exception: Cross-road drainage of busy roads

Technical data sheet

ANRIN DRAIN heavy duty channels SF-300

Example installations

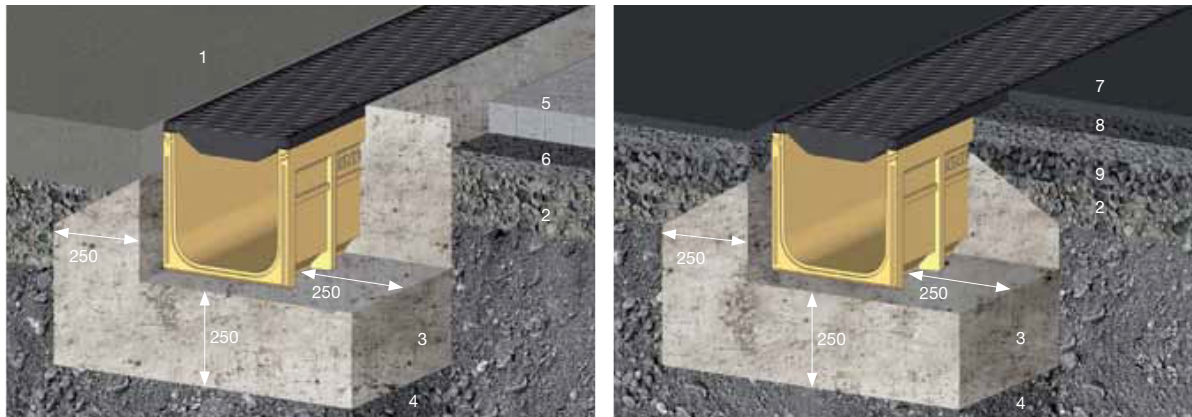
With ANRIN drainage systems, accumulating rainwater should be drained safely and quickly. Moreover, the structural elements have the task of accommodating dynamic loads arising from traffic-related demands and dispersing them to the area of the foundation.

The following installation guidelines are schematic representations. These are provided as examples and are non-binding. The information provided here is based on our long-term experience in excavation and road construction as well as the state-of-the-art technology.

Despite this, designers and planners are always obligated to check the products and the installation instructions for their appropriateness. The example details are simplified recommendations for execution. Constructions are to be re-created on a project-specific basis. Special local conditions must be reviewed by the planner and the appropriate installation types must be taken into account. The example details are simplified recommendations for execution. Constructions are to be re-created on a project-specific basis.

Important: Insert gratings for the installation.

Einbaubeispiele SF-300



Road concrete and / or concrete sheets or paving bed Cast asphalt

- | | |
|--|--|
| 1 In-situ road concrete | 6 Paving bed |
| 2 Base course with hydraulic binder | 7 Wearing course |
| 3 Concrete cladding of the channel body | 8 Bonding course |
| 4 Gravel base (frost-protection layer) | 9 Bitumen base course |
| 5 Prefabricated concrete sheets and / or stone systems | All length specifications in millimetres |

The current guidelines and regulations of the state-of-the-art technology must be observed for the installation. For example, these are:

- | | |
|---------------|--|
| DIN EN 1433 | “Drainage channels for vehicular and pedestrian areas” |
| DIN 19580 | “Drainage channels for vehicular and pedestrian areas” |
| RStO | “Guidelines for the standardisation of the superstructure of vehicular areas” |
| DIN EN 206-1 | “Concrete. Specification, performance, production and conformity”, to be observed, in particular: ZTV concrete StB 07 for the construction of base courses with hydraulic binders and concrete road wearing courses. |
| (VOB) Teil C | DIN 18318 “Construction work on roadways” |
| DIN EN 1045-2 | “Concrete, reinforced and prestressed concrete structures. Part 2: Concrete – Specification, properties, production and conformity; application rules for DIN EN 206-1” |



ANRIN GmbH
Siemensstr. 1
59609 Anröchte
Germany

+49 (0) 29 47.97 81-0
www.anrin.com
info@anrin.com