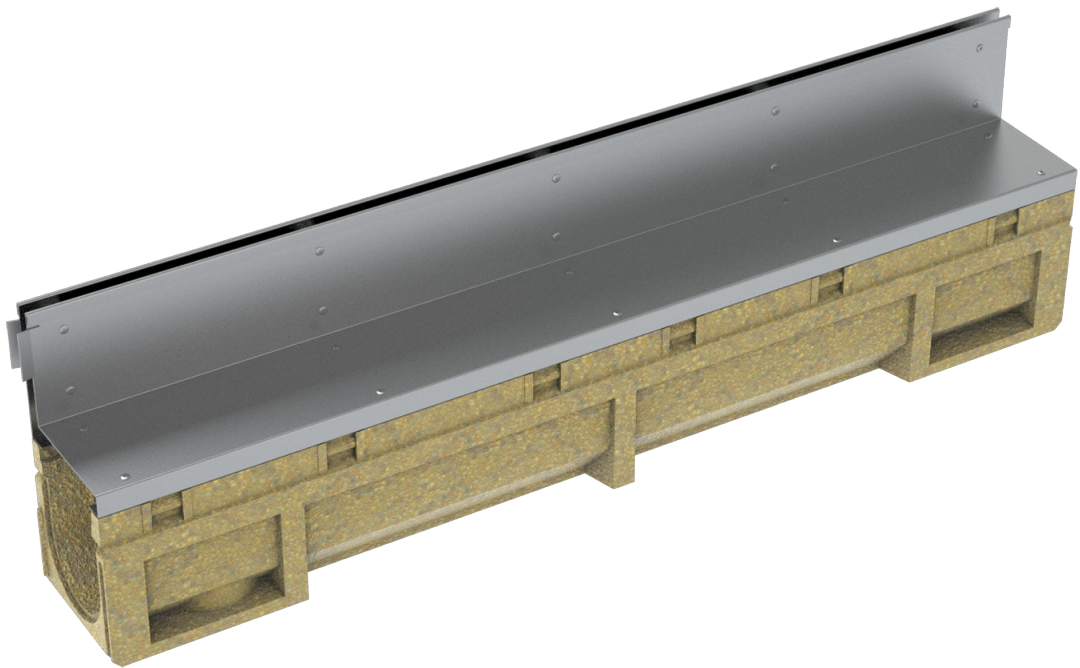


ANRIN

LEADING WATER



Technical data sheet

Slotted top channels
Z-100

Technical data sheet

ANRIN DRAIN slotted top channels Z-100 and Z-100 stainless steel

Channel drainage for the load classes A 15 to D 400

According to DIN 19580 / EN 1433 "Drainage channels for vehicular and pedestrian areas", these surfaces are assigned to specific load classes depending on the use.

Then the respective appropriate ANRIN slotted top system can be selected.

Product specifications

Product specifications	Lower channel section	Sump unit	Slotted top
Material	Resin concrete	Resin concrete	Galvanised/stainless steel
Length	50 cm and 100 cm	50 cm	50 cm and 100 cm
Width	13.6 cm	13.6 cm	13.6 cm und 16.0 cm
Height	15.3 cm	42.8 cm	13.2 cm und 18.2 cm
Slot width SW			1.25 cm
Shaft height SH			11.0 cm / 16.0 cm
Nominal width	100 cm	100 cm	
Load class	A 15 to C 250	A 15 to C 250	
Slope type	Constant invert *		
Joint type	UNILINK® joint	UNILINK® joint	
Profile version			laterally flush slot

* Channels with sloping invert on request

Material properties

Channel / component body	
Polymer concrete	polyester resin-based with mineral aggregates, additives
Compressive strength	≥ 90 N/mm ²
Bending tensile strength	≥ 22 N/mm ²
Modulus of elasticity	ca. 25 kN/mm ²
Density	2.1 – 2.3 g/dm ³
Heat resistance	100° C (permanent loading)
Frost resistance	- 50° C
Water penetration depth	0 mm
Water absorption	0.05 %
Slotted top	
Slotted top	Galvanised steel / stainless steel

Technical data sheet

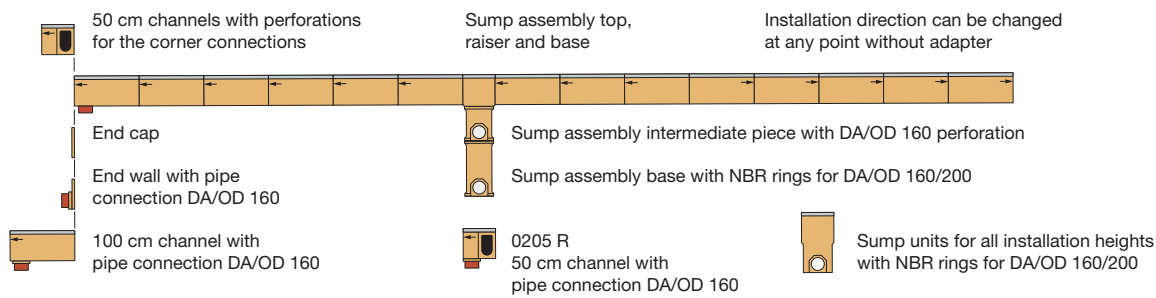
ANRIN DRAIN slotted top channels

Slope types

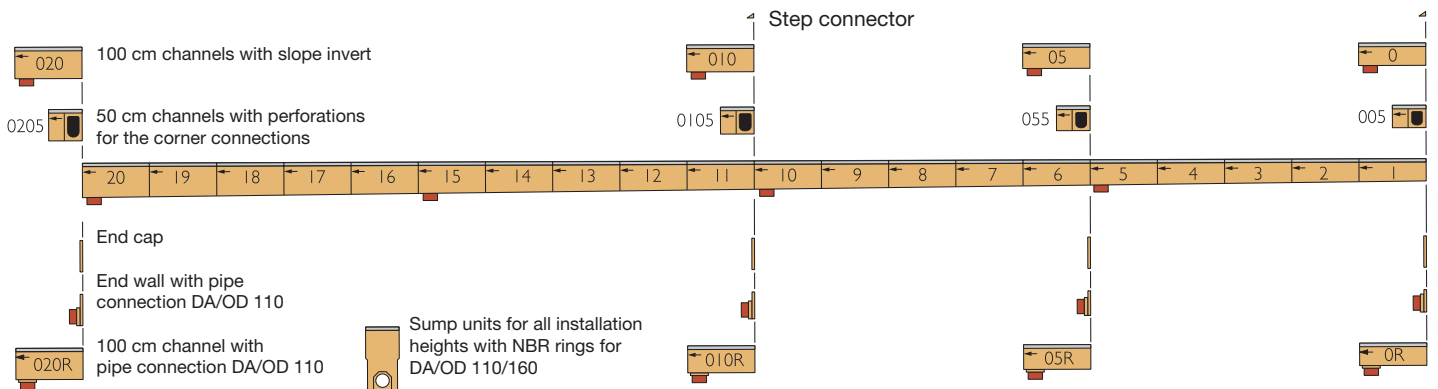
Area drainage with channel runs is normally made according to 3 different principles. The slope of water surface is achieved by the natural fall of the land. The water flows downwards with the gradient of the water level. A stepped invert is realised by an artificial gradient which is formed by the installation of stepped-height channels and connectors. The high flow rate with self-cleaning effect can be achieved with channels in natural slope.

All slope types can be combined according to hydraulic requirements and topographical conditions.

Constant invert



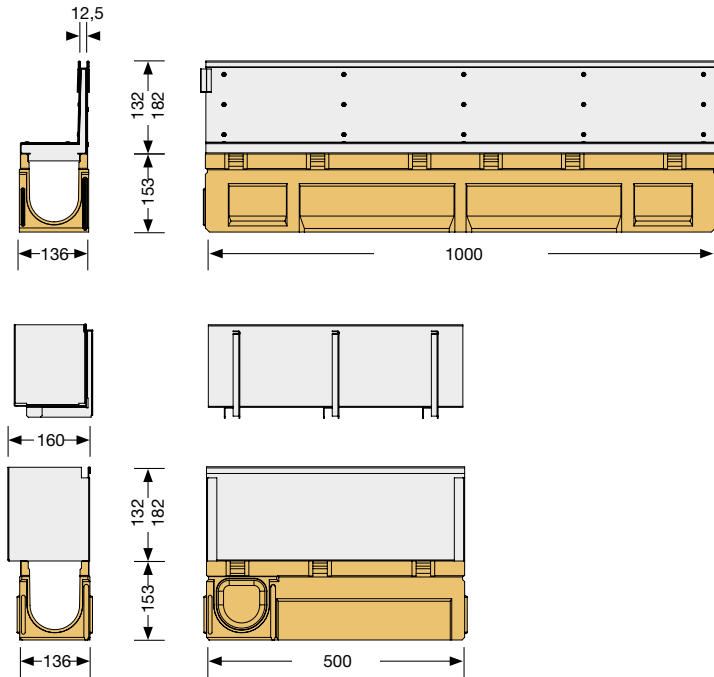
Slope invert



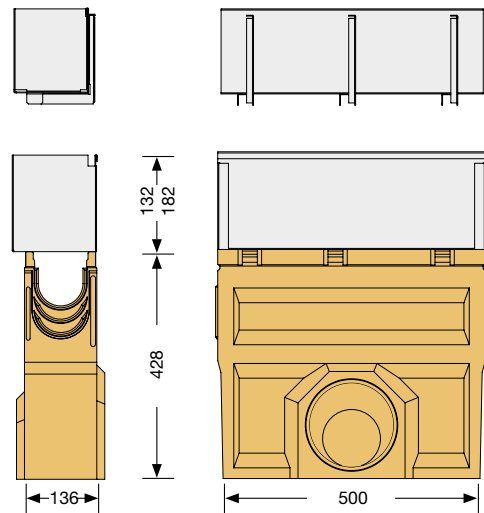
Technical data sheet

ANRIN DRAIN slotted top channels Z-100 and Z-100 stainless steel

Channel dimensions



Accessories dimensions



Technical data sheet

ANRIN DRAIN slotted top channels Z-100 and Z-100 stainless steel

Lower channel sections

Article no.	EAN	Designation		Slope %	Length cm	Width cm	Height cm	Weight kg
02500500	4026857019848	Z-100 Channel No.	05	0	100	13.6	15.3	15.7
02500550	4026857019855	Z-100 Channel No.	055	0	50	13.6	15.3	6.7
02500010	4026857024651	Z-100 Channel No.	1	0.5	100	13.6	13.3	14.7
02500020	4026857024668	Z-100 Channel No.	2	0.5	100	13.6	13.8	14.7
02500030	4026857024675	Z-100 Channel No.	3	0.5	100	13.6	14.3	15.0
02500040	4026857024682	Z-100 Channel No.	4	0.5	100	13.6	14.8	15.0
02500050	4026857024699	Z-100 Channel No.	5	0.5	100	13.6	15.3	15.2
02500060	4026857024705	Z-100 Channel No.	6	0.5	100	13.6	15.8	15.2
02500070	4026857024712	Z-100 Channel No.	7	0.5	100	13.6	16.3	16.7
02500080	4026857024729	Z-100 Channel No.	8	0.5	100	13.6	16.8	16.7
02500090	4026857024736	Z-100 Channel No.	9	0.5	100	13.6	17.3	17.0
02500100	4026857024743	Z-100 Channel No.	10	0.5	100	13.6	17.8	18.2
02500110	4026857024750	Z-100 Channel No.	11	0.5	100	13.6	18.3	18.2
02500120	4026857024767	Z-100 Channel No.	12	0.5	100	13.6	18.8	19.2
02500130	4026857024774	Z-100 Channel No.	13	0.5	100	13.6	19.3	19.2
02500140	4026857024781	Z-100 Channel No.	14	0.5	100	13.6	19.8	19.7
02500150	4026857024798	Z-100 Channel No.	15	0.5	100	13.6	20.3	19.7
02500160	4026857024804	Z-100 Channel No.	16	0.5	100	13.6	20.8	20.2
02500170	4026857024811	Z-100 Channel No.	17	0.5	100	13.6	21.3	20.2
02500180	4026857024828	Z-100 Channel No.	18	0.5	100	13.6	21.8	20.7
02500190	4026857024835	Z-100 Channel No.	19	0.5	100	13.6	22.3	21.2
02500200	4026857024842	Z-100 Channel No.	20	0.5	100	13.6	22.8	21.7

Accessories

Article no.	EAN	Designation		Length cm	Width cm	Height cm	Weight kg
02506010	4026857020813	Z-100 Sump unit low height with mud bucket		50	13.6	42.8	26.9
02509021	4026857030409	Mesh insert		100			
02509020	4026857020097	Access hook pair, galvanised steel					

Technical data sheet

ANRIN DRAIN slotted top channels Z-100 and Z-100 stainless steel

Slotted tops made from galvanised steel

Article no.	EAN	Designation	Length cm	Width cm	Height cm	Weight kg
02504511	4026857030416	Z-100 S Slotted top*, Shaft height = 11 cm	100	13.6	13.2	5.7
02504551	4026857030553	Z-100 S Slotted top*, Shaft height = 11 cm	50	13.6	13.2	2.9
02504611	4026857030430	Z-100 S Access top*	50	16.0	13.2	5.0
02504516	4026857024859	Z-100 S Slotted top*, Shaft height = 16 cm	100	13.6	18.2	6.9
02504517	4026857026020	Z-100 S Slotted top*, Shaft height = 16 cm	50	13.6	18.2	3.5
02504616	4026857024866	Z-100 S Access top*	50	16.0	18.2	6.8
01107000	4026857011408	Z-100 End cap, closed				1.6
01108050	4026857011477	Z-100 End cap with pipe socket DA/OD 110				1.1

Slotted tops made from stainless steel

Article no.	EAN	Designation	Length cm	Width cm	Height cm	Weight kg
02505511	4026857030423	Z-100 S Slotted top*, Shaft height = 11 cm	100	13.6	13.2	5.7
02505551	4026857030546	Z-100 S Slotted top*, Shaft height = 11 cm	50	13.6	13.2	2.9
02505611	4026857030447	Z-100 S Access top*	50	16.0	13.2	5.0
02505516	4026857024873	Z-100 S Slotted top*, Shaft height = 16 cm	100	13.6	18.2	6.9
02505716	4026857026013	Z-100 S Slotted top*, Shaft height = 16 cm	50	13.6	18.2	3.5
02505616	4026857024880	Z-100 S Access top*	50	16.0	18.2	6.8
01407000	4026857018568	Z-100 End cap, closed				1.6
01408050	4026857018605	Z-100 End cap with pipe socket DA/OD 110				1.1

* Shaft heights and slot widths can be varied to match them to an object

Technical data sheet

ANRIN DRAIN slotted top channels Z-150 and Z-150 stainless steel

Example installations

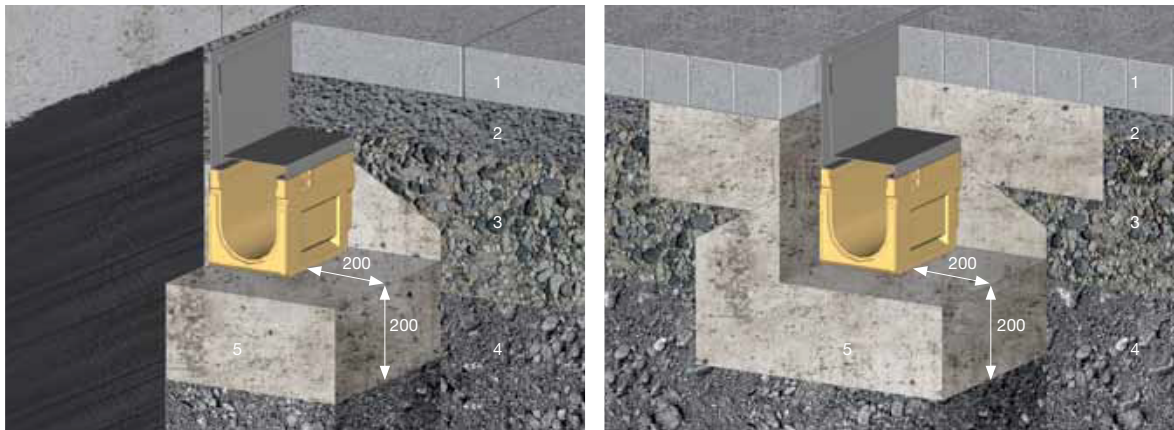
With ANRIN drainage systems, accumulating rainwater should be drained safely and quickly. Moreover, the structural elements have the task of accommodating dynamic loads arising from traffic-related demands and dispersing them to the area of the foundation.

The following installation guidelines are schematic representations. These are provided as examples and are non-binding. The information provided here is based on our long-term experience in excavation and road construction as well as the state-of-the-art technology.

Despite this, designers and planners are always obligated to check the products and the installation instructions for their appropriateness. The example details are simplified recommendations for execution. Constructions are to be re-created on a project-specific basis. Special local conditions must be reviewed by the planner and the appropriate installation types must be taken into account. The example details are simplified recommendations for execution. Constructions are to be re-created on a project-specific basis.

Important: Insert gratings for the installation.

Example installations Z-100



on stair and façade connections with paver covering in paved surface

- 1 Paver surface / paving
 - 2 Mortar bedding
 - 3 Base course with hydraulic binder
 - 4 Gravel base (frost-protection layer)
 - 5 C12/15 concrete
- All length specifications in millimetres

The current guidelines and regulations of the state-of-the-art technology must be observed for the installation. For example, these are:

- | | |
|---------------|---|
| DIN EN 1433 | “Drainage channels for vehicular and pedestrian areas” |
| DIN 19580 | “Drainage channels for vehicular and pedestrian areas” |
| RStO | “Guidelines for the standardisation of the superstructure of vehicular areas” |
| DIN EN 206-1 | “Concrete. Specification, performance, production and conformity”, to be observed, in particular:
ZTV concrete StB 07 for the construction of base courses with hydraulic binders and concrete road wearing courses. |
| (VOB) Teil C | DIN 18318 “Construction work on roadways” |
| DIN EN 1045-2 | “Concrete, reinforced and prestressed concrete structures.
Part 2: Concrete – Specification, properties, production and conformity; application rules for DIN EN 206-1” |



ANRIN GmbH
Siemensstr. 1
59609 Anröchte
Germany

+49 (0) 29 47.97 81-0
www.anrin.com
info@anrin.com