

# ALTAIR V4 DN25/32/40

VOLUMETRIC METER

**DIEHL**  
Metering



## APPLICATION

ALTAIR V4 represents the latest generation of volumetric meters developed within the framework of the MID and European standards to meet field requirements.

ALTAIR V4 is a particularly compact and robust meter, adapting to the most restrictive environments and compatible with varying water qualities.

Modular, ALTAIR V4 may be fitted at any time with an IZAR clip-on module converting it into a communicating meter, ready for mobile or fixed network (radio/wired) reading.

## FEATURES

- ▶ DN25/32/40
- ▶  $Q_3=6.3 \text{ m}^3/\text{h}$  (DN25/32),  $Q_3=10 \text{ m}^3/\text{h}$  (DN25/32) and  $Q_3=16 \text{ m}^3/\text{h}$  (DN40)
- ▶ MID approval up to  $R=800$  ( $Q_3=6.3 \text{ m}^3/\text{h}$ ),  $R=500$  ( $Q_3=10 \text{ m}^3/\text{h}$ ) and  $R=1,000$  ( $Q_3=16 \text{ m}^3/\text{h}$ )
- ▶ Starting flow rate at 1 l/h ( $Q_3=6.3 \text{ m}^3/\text{h}$ ), 2.9 l/h ( $Q_3=10 \text{ m}^3/\text{h}$ ) and 4 l/h ( $Q_3=16 \text{ m}^3/\text{h}$ )
- ▶ Brass body
- ▶ Glass-copper register
- ▶ Compact
- ▶ Installation in any position

# ALTAIR V4 DN25/32/40

## VOLUMETRIC METER

### METROLOGICAL DATA

Nominal diameter	DN	mm	25	25	32	32	40
Length*	L	mm	260	260	260	260	300
Nominal flow rate	Q <sub>3</sub>	m <sup>3</sup> /h	6.3	10	6.3	10	16
R standard*	Q <sub>3</sub> /Q <sub>1</sub>		160	160	160	160	160
Starting flow rate		l/h	1	2.9	1	2.9	4
Minimum flow rate*	Q <sub>1</sub>	l/h	39.375	62.5	39.375	62.5	100
Transition flow rate*	Q <sub>2</sub>	l/h	63	100	63	100	160
Maximum flow rate	Q <sub>4</sub>	m <sup>3</sup> /h	7.875	12.5	7.875	12.5	20
Head loss at Q <sub>3</sub>		bar	0.616	0.496	0.611	0.484	0.630
Head loss at Q <sub>4</sub>		bar	0.962	0.776	0.955	0.785	0.984
Kvs (deltaP=Q <sup>2</sup> /Kvs <sup>2</sup> )			8.0	14.2	8.0	14.2	20.1

\* Other values on request.

### APPROVAL

	ALTAIR V4 DN25/32/40
MID approval	LNE-6250   Type A2
Standards	EN 14154   ISO 4064   OIML R49
Sanitary conformity	ACS   Belgaqua   KTW   WRAS   DM 174

### REACH

Information pursuant to Article 33 (1) of Regulation (EC) No 1907/2006 of the European Parliament and of the Council of 18 December 2006:

This product series contains articles with the following substances in a concentration of more than 0.1% weight by weight (w/w):

- Lead

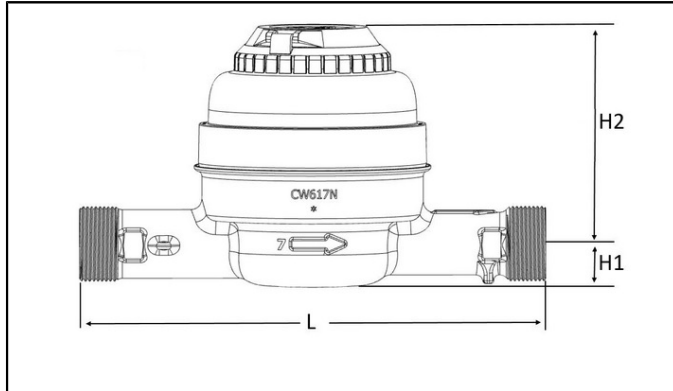
### TEMPERATURES AND PRESSURE

	ALTAIR V4 DN25/32/40
Water temperature	°C 0.1 ... +50
Ambient operating temperature	°C +1 ... +55
Storage temperature	°C -10 ... +55
Nominal pressure	PN bar 16

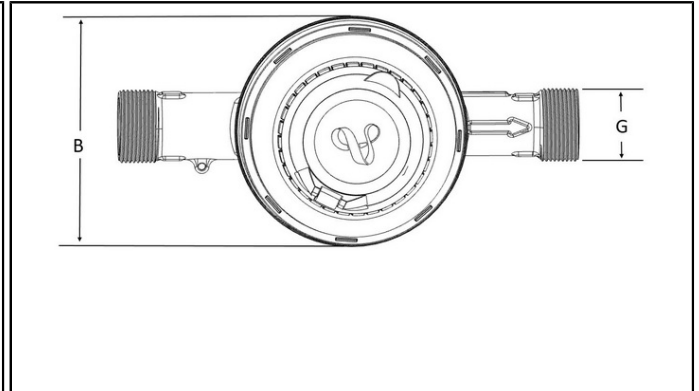
# ALTAIR V4 DN25/32/40

VOLUMETRIC METER

## DIMENSIONS



Front view - DN40

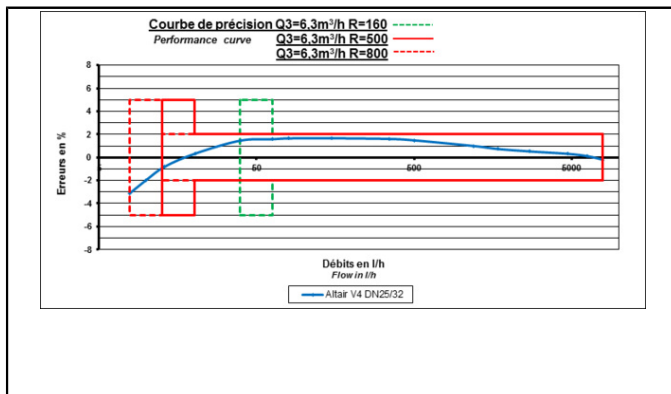


Top view

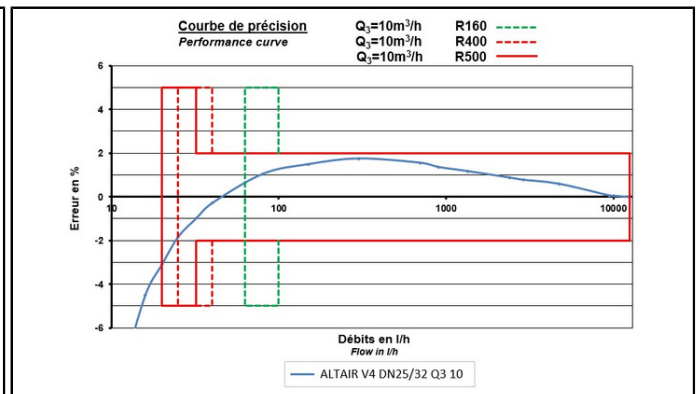
Nominal diameter	DN	mm	25	25	32	32	40
Length*	L	mm	260	260	260	260	300
Nominal flow rate	Q <sub>3</sub>	m <sup>3</sup> /h	6.3	10	6.3	10	16
Width	B	mm	132	179	132	179	179
Height	H1	mm	24.3	25.3	24.3	25.3	30.5
Height	H2	mm	120.3	153.5	120.3	153.5	153.5
Thread connections	G	inch	1"1/4	1"1/4	1"1/2	1"1/2	2"
Body			brass	brass	brass	brass	brass
Weight		kg	2.71	4.25	2.78	4.57	5.44

\* Other values on request.

## PRECISION CURVE - DN25/32



DN25/32 - Q<sub>3</sub>=6.3 m<sup>3</sup>/h



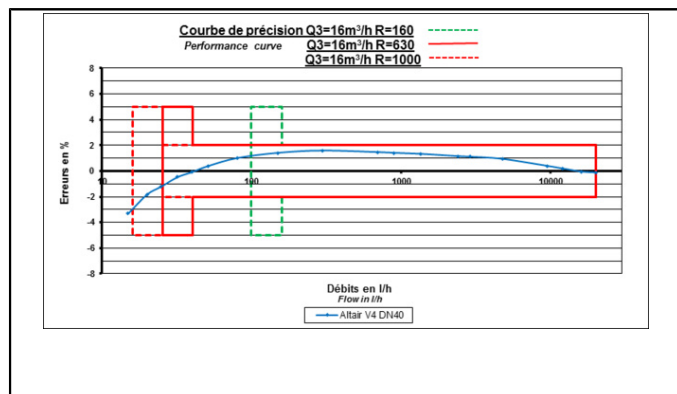
DN25/32 - Q<sub>3</sub>=10 m<sup>3</sup>/h

This technology does not require straight length.

# ALTAIR V4 DN25/32/40

VOLUMETRIC METER

## PRECISION CURVE - DN40



DN40 -  $Q_3=16 \text{ m}^3/\text{h}$

This technology does not require straight length.

## OPTIONS

- Non-return valve
- Pair of connectors