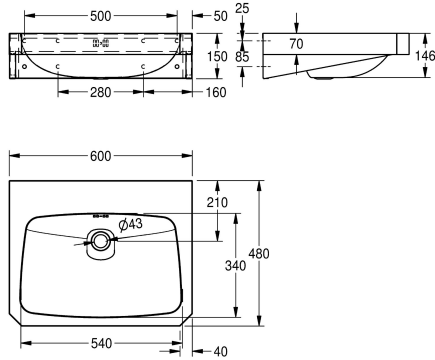


## KWC ANIMA Single washbasin

Modell-Linie: ANIMA | WT600C  
Washbasins & Washtroughs | Wash basins



### KWC-No.

**203.0500.572**

**2000103766**

With 35 mm diameter tap hole, centered

1

Single wash basin for wall mounting, stainless steel, surface satin finished, material thickness 1 mm, seamless welded bowl with diameter 550 x 350 x 145 mm, rectangular shape, 90 mm tap ledge, with overflow, 1 1/4" plug waste, drainage rewards centric, front panel with 45° corner edges, prewelded mounting brackets,

distance between the centre lines of the fixing holes conform to EN 31, includes screws and dowels.

Dimensions 600 x 150 x 480 mm (W x H x D)

### Technical Data

type of basin
bowl position
bowl - bowl height
bowl finish
bowl - depth
bowl shape
bowl - width
colour
material
material code
material thickness
overall depth
overall height
overall width
overflow
overflow position
rear upstand
siphon diameter
siphon included
splash back
surface finish
tap ledge
type of mounting
type of waste kit

Wash basin
Center
146 mm
satin finished
340 mm
rounded rectangle
540 mm
no colour
stainless steel
1.4301 Chrome Nickel steel V2A
1 mm
480 mm
150 mm
600 mm
yes
back
no
DN 32
no
optional
satin finished
yes
wall mounting
plug waste



## KWC ANIMA Single washbasin

**Modell-Linie: ANIMA | WT600C**  
Washbasins & Washtroughs | Wash basins

waste hole position	centre back
waste hole projection	210 mm
waste kit included	yes
waste size	DN 32
waste sleeve included	no

### Optional Accessories



#### ANIMA trap cover

**2000056723**  
ANMX210



#### ANIMA splash back

**2000100067**  
SB600