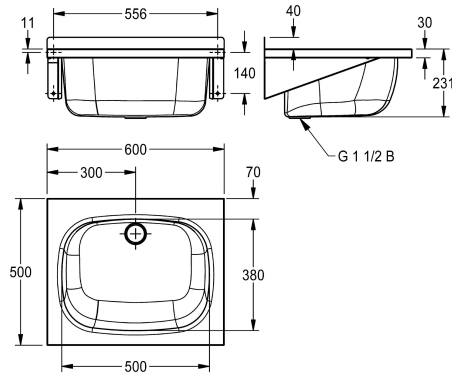


## KWC SIRIUS Multipurpose sink

Modell-Linie: SIRIUS | BS330  
Utility sinks | Multi purpose sink



### KWC-No.

**207.0483.167**

Multipurpose sink, for wall mounting, stainless steel, surface satin finished material thickness 1.2 mm, seamless welded bowl, without overflow, 1 1/2" plug waste with plastic overflow pipe, drainage back centric, with 70 mm tap ledge, with 40 mm rear upstand,

including mounting material, includes mounting brackets loose.

Dimension 600 x 271 x 500 mm (W x H x D)  
Bowl dimension 500 x 231 x 380 (W x H x D)

### Technical Data

splash back height	40 mm
bowl position	Center
bowl construction	radius corners
bowl - bowl height	230 mm
bowl finish	satin finished
bowl - depth	380 mm
bowl - width	500 mm
brushes	Without brushes
drainer or storage	no
grid	no
material	stainless steel
material code	1.4301 Chrome Nickel steel V2A
material thickness	1.2 mm
number of waste holes	1
outlet size	G 1 1/2 B
overall depth	500 mm
overall height	276 mm
overall width	600 mm
overflow	standpipe overflow
rear upstand	yes
wash riffle	no
spillway	no
splash back	no
sump	no
sump basket	no
surface finish	satin finished

## KWC SIRIUS Multipurpose sink

Modell-Linie: SIRIUS | BS330  
Utility sinks | Multi purpose sink

tap ledge	yes
type of mounting	wall mounting
type of utility sink	multi purpose sink
type of waste kit	standpipe strainer
number of wash places	1
waste hole position	centre back
waste hole projection	120 mm
waste kit included	yes
waste size	DN 40

### Optional Accessories



#### Folding grid

**2000102678**  
ZSIRX001