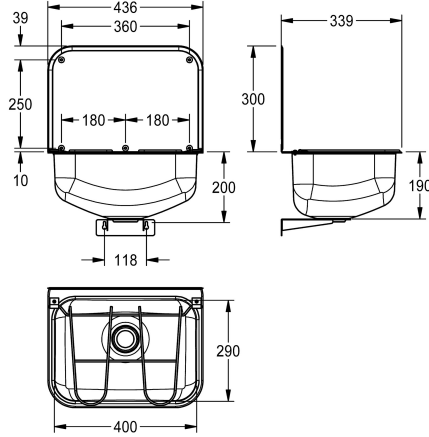


KWC SIRIUS

Utility sink

Modell-Linie: SIRIUS | WB440COP

Utility sinks | Cleaners sinks



KWC-No.

2000100353

Dimensions 436 x 490 x 339 mm (W x H x D)

General purpose sink for wall mounting, stainless steel, surface satin finished, material thickness 0.8 mm, seamless welded bowl with dimensions 436 x 190 x 339 mm, 1 1/2" flat perforated waste, drainage back centric, 436 x 300 mm splash back, includes stainless steel grid with rubber bumps, includes stainless steel

screws, dowels and bracket.

Dimensions 436 x 190 x 339 mm (W x H x D)
Bowl Dimensions 400 x 190 x 290 mm (W x H x D)
Splashback 436 x 300 mm (W x H)

Technical Data

splash back height
bowl position
bowl construction
bowl - bowl height
bowl finish
bowl - depth
bowl - width
brushes
drainer or storage
grid
grid material
material
material code
material code grid
material thickness
number of waste holes
outlet size
overall depth
overall height
overall width
overflow
rear upstand
wash riffle
spillway
splash back

300 mm
Center
radius coved front and back on
190 mm
satin finished
290 mm
400 mm
Without brushes
no
hinged
stainless steel
stainless steel
1.4301 Chrome Nickel steel V2A
1.4301 Chrome Nickel steel V2A
0.8 mm
1
DN 40
339 mm
190 mm
436 mm
no
yes
no
no
yes



KWC SIRIUS

Utility sink

Modell-Linie: SIRIUS | WB440COP

Utility sinks | Cleaners sinks

sump	no
sump basket	no
surface finish	satın finished
tap ledge	no
type of mounting	wall mounting
waste hole position	centre back
waste hole projection	145 mm
waste kit included	yes
waste size	DN 40