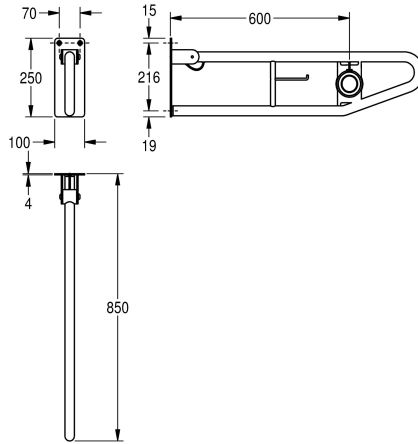
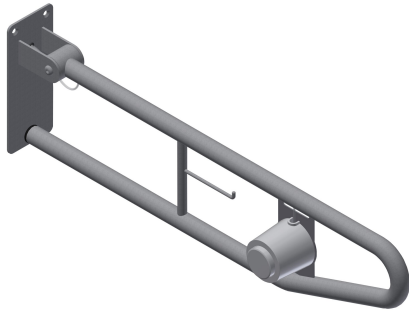


KWC CONTINA Hinged grab rail

Modell-Linie: CONTINA | CNTX70G
Stödräcken | Handtag



KWC-No.

2030040945

Dimensions 100 x 250 x 850 mm (W x H x D)

Foldable grab rail with flushing button for wall mounting, stainless steel, surface satin finished, rough polishing for better surface feel, 32 mm pipe diameter, material thickness 1.2 mm, integrated toilet roll holder, pneumatic flush button in front area, flush button optional on right or left side, prevention against unmeant folding, gum rubber stop absorber, 4 mm thick mounting plate with three fixing holes,

included flushing mechanism contains 2 m pneumatic tube and set for assembling to Geberit cistern, includes stainless steel screws and dowels.

Dimensions 100 x 250 x 850 mm (W x H x D)

Technical Data

Bakre
Böckningsradie
Färg
Antal fixeringspunkter
dold fixering
Gångjärn
Material
Materialkod
Material tjocklek
Övergripande djup
Total höjd
Total bredd
Rördiameter
Ytfinish

Nej
180 Grad
Ingen färg
1
Nej
Ja
Rostfritt stål
1.4301
1.2 mm
850 mm
249 mm
100 mm
32 mm
Satin yta