

### Duo Clamp SRS

Group: 1223

#### Application

Two-piece pipe clamp with double thread connection (M8/M10) for the installation of pipelines.

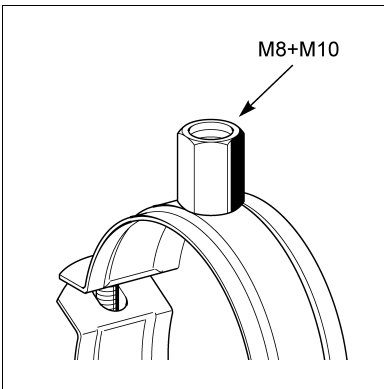
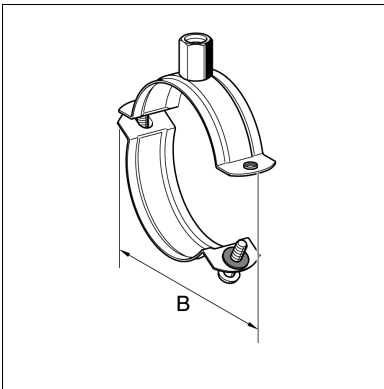
#### Scope of delivery

Supplied with two bolts partially mounted on one side and therefore ready for immediate installation. The clamping bolt on the open side is retained by a plastic washer, thus preventing any accidental unscrewing.

#### Technical Data

Size [mm]	Max. adm. load (tension)	Tightening torque [Nm]
13 - 73	0.6 kN	2
75 - 167	2.5 kN	2

Material: Steel, electro-galvanised



Size range [mm]	Material W x th [mm]	W [kg]	Quantity [pack]	Part number
13 - 18	20 x 1.5	0.04	100	173216
19 - 22	20 x 1.5	0.05	100	173225
23 - 26	20 x 1.5	0.05	100	111470
27 - 30	20 x 1.5	0.05	100	173234
32 - 36	20 x 1.5	0.05	100	173243
40 - 44	20 x 1.5	0.06	50	173252
48 - 54	20 x 1.5	0.07	50	173261
55 - 59	20 x 1.5	0.08	50	182990
60 - 66	20 x 1.5	0.08	50	173279
68 - 73	20 x 1.5	0.09	25	173288
75 - 80	25 x 2.0	0.15	25	173297
84 - 89	25 x 2.0	0.16	25	173306
90 - 98	25 x 2.0	0.16	25	186023
94 - 101	25 x 2.0	0.17	25	186032
102 - 108	25 x 2.0	0.18	25	173315
110 - 115	25 x 2.0	0.18	25	173324
118 - 125	25 x 2.5	0.24	25	186041
129 - 136	25 x 2.5	0.26	25	191387
138 - 144	25 x 2.5	0.27	25	191396
144 - 153	25 x 2.5	0.29	25	191405
159 - 167	25 x 2.5	0.30	25	191414