

10 - 72 mm

Stabil D-3G HCP

Group: 1844

Application

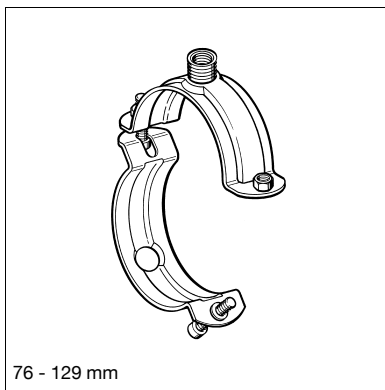
For the installation of pipes required for all M&E services in industrial, residential and public buildings.

Scope of delivery

Sizes 15 to 129 mm are equipped with welded nuts for the clamping bolts. On the joint side, the clamping bolt is pre-assembled; the clamping bolt on the opposite side is mounted into the bore hole and retained by a plastic washer, thus preventing any accidental unscrewing.

For sizes 133 and larger the clamping bolts and the required nuts are supplied in loose form.

With welded in 3G triple thread nut; without sound absorption lining. For further adapter-based connection options via the external thread of the 3G triple thread nut, see product "Adapter AD f/f" (this chapter).



76 - 129 mm

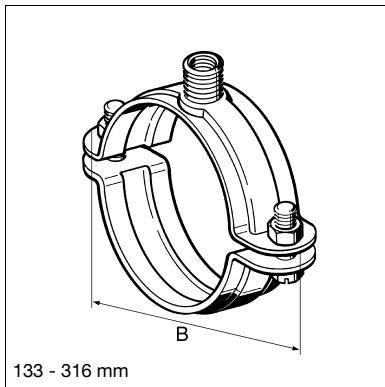
Technical Data

Size [mm]	Max. working load (tension)
10 - 72	4,0 kN
76 - 129	5,0 kN
133 - 173	8,0 kN
176 - 316	12,5 kN

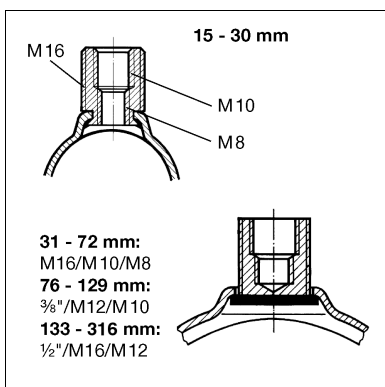
Material: Steel, HCP

Approvals / Compliance

VdS-Approval No. G4920027, * = FM Approval



133 - 316 mm



Size range [mm]	NB	Material W x th [mm]	Thread connection	B [mm]	W [kg]	Quantity [pack]	Part number
10 - 14		25 x 2.0	M16/M10/M8	60	0.07	50	113832
15 - 19	3/8"	25 x 2.0	M16/M10/M8	57	0.07	50	112216
20 - 24	1/2"	25 x 2.0	M16/M10/M8	62	0.08	50	112217
25 - 30	3/4"	25 x 2.0	M16/M10/M8	68	0.08	50	112218
31 - 35 *	1"	30 x 2.5	M16/M10/M8	75	0.12	50	112219
36 - 41		30 x 2.5	M16/M10/M8	81	0.13	50	113833
40 - 45 *	1 1/4"	30 x 2.5	M16/M10/M8	85	0.13	50	112220
48 - 53 *	1 1/2"	30 x 2.5	M16/M10/M8	93	0.15	50	112221
54 - 59		30 x 2.5	M16/M10/M8	101	0.16	50	112222
60 - 65 *	2"	30 x 2.5	M16/M10/M8	108	0.17	50	112223
67 - 72		30 x 2.5	M16/M10/M8	114	0.18	50	112224
76 - 81 *	2 1/2"	30 x 3.0	3/8"/M12/M10	144	0.28	25	112225
82 - 87		30 x 3.0	3/8"/M12/M10	150	0.29	25	112226
88 - 93 *	3"	30 x 3.0	3/8"/M12/M10	156	0.31	25	112227
102 - 108		30 x 3.0	3/8"/M12/M10	170	0.34	25	112228
110 - 116 *	4"	30 x 3.0	3/8"/M12/M10	178	0.36	25	112229
124 - 129		30 x 3.0	3/8"/M12/M10	191	0.39	25	112230
133 - 140		40 x 4.0	1/2"/M16/M12	210	0.74	10	112231
140 - 148 *	5"	40 x 4.0	1/2"/M16/M12	218	0.76	10	112232
149 - 155		40 x 4.0	1/2"/M16/M12	225	0.81	10	112233
159 - 165		40 x 4.0	1/2"/M16/M12	235	0.82	10	112234
167 - 173 *	6"	40 x 4.0	1/2"/M16/M12	243	0.85	10	112235
176 - 184		40 x 4.0	1/2"/M16/M12	255	0.95	10	112236
188 - 194		40 x 4.0	1/2"/M16/M12	265	0.98	10	112237
199 - 205		40 x 4.0	1/2"/M16/M12	276	1.03	10	112238
207 - 216		40 x 4.0	1/2"/M16/M12	287	1.07	10	112239
219 - 225	8"	40 x 4.0	1/2"/M16/M12	296	1.11	10	112240
244 - 250		40 x 4.0	1/2"/M16/M12	321	1.23	10	112242
267 - 273	10"	40 x 4.0	1/2"/M16/M12	344	1.25	10	112244
278 - 284		40 x 4.0	1/2"/M16/M12	355	1.35	10	112245
297 - 303		40 x 4.0	1/2"/M16/M12	374	1.42	10	112246
310 - 316		40 x 4.0	1/2"/M16/M12	387	1.47	10	112247