

U-Holder SB 41

Group: 1331

Application

Clamping element for bi-lateral attachment of crossbars to steel beams, independent from the channel's opening.

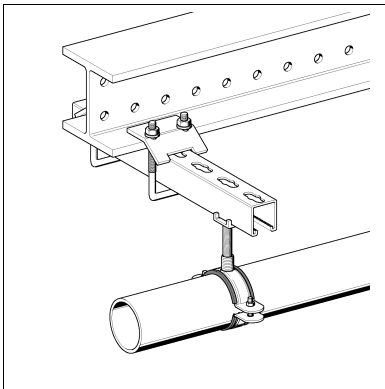
Installation

To be used in pairs.

Length calculation = Beam/Girder flange thickness + min. 2 x 50 mm overhang

Technical Data

Type	Max. perm. load tension	Tightening torque
M8	3.5 kN per U-Holder	20 Nm
M10	5.0 kN per U-Holder	30 Nm



Material: Steel, electro-galvanised

Type	For channel height [mm]	Max. flange thickness [mm]	Thread	W [kg]	Quantity [pack]	Part number
41 - M8	20 - 62	16	M8	0.31	20	192566
41 - M10	20 - 62	16	M10	0.41	20	183620
41 D - M10	80 - 124	16	M10	0.48	20	191657

