

### Channel Bracket SH

Group: 1112

#### Application

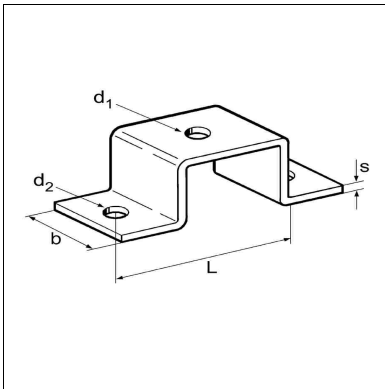
For fixing Sikla Channels:

- ◆ directly to the building structure or
- ◆ directly onto other channels for frame assembly.

When mounting the Channel Holder onto freestanding or embedded channels, we recommend the use of Speed Nut CC bolts.

#### Technical Data

Material: Steel, electro-galvanised



Type	b x s [mm]	L [mm]	Ø d <sub>1</sub> [mm]	Ø d <sub>2</sub> [mm]	W [kg]	Quantity [pack]	Part number
41/21	40 x 4	80	11	11	0.15	50	<b>177338</b>
41/31	40 x 4	80	11	11	0.18	50	<b>113645</b>
41/41 u. 41/21 D	40 x 4	80	11	11	0.20	50	<b>177365</b>
41/45	40 x 4	80	11	11	0.21	50	<b>126791</b>
41/52	40 x 4	80	11	11	0.23	50	<b>177347</b>
41/62	40 x 4	80	11	11	0.27	25	<b>177356</b>
41-75/65	50 x 5	120	13	13	0.43	25	<b>177644</b>
41-75/75	50 x 5	120	13	13	0.48	25	<b>177662</b>
41/41 D	40 x 4	80	11	11	0.30	10	<b>177374</b>
41/45 D	40 x 4	84	13	13	0.33	10	<b>125532</b>
41/52 D	40 x 4	84	13	13	0.38	10	<b>177383</b>
41/62 D	40 x 4	84	13	13	0.42	10	<b>163000</b>
41-75/65 D	50 x 5	120	13	13	0.69	10	<b>177671</b>
41-75/75 D	50 x 5	120	13	13	0.76	10	<b>177680</b>

