

1/2"

### Mounting Plate GPL F 80

Group: A438

#### Application

Interface component to connect threaded bar and threaded tube to Beam Section F80.

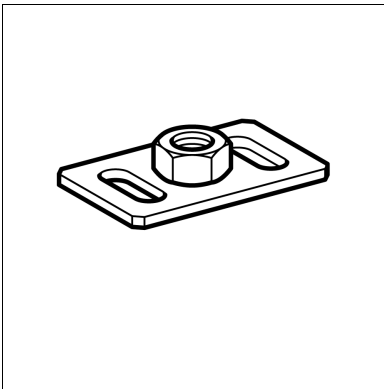
#### Installation

Requires 2 x Self Forming Screw FLS per Mounting Plate GPL.

#### Technical Data

Dimensions of base plate: 80 x 50 x 4 mm

Material: Steel, hot-dipped galvanised



Type	W [kg]	Quantity [pack]	Part number
GPL F 80-1/2"	0.1	50	<b>192900</b>
GPL F 80-M10	0.1	50	<b>113004</b>
GPL F 80-M12	0.1	50	<b>112911</b>
GPL F 80-M16	0.2	50	<b>195833</b>

