

### Beam Section TP F 80

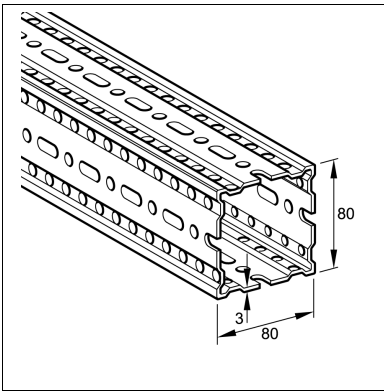
Group: A410

#### Application

Galvanised hollow-box-section for fabrication of steel frames. Designed for both simple two-dimensional supports and complex volumetric arrangements. Holes designed to receive Self Forming Screw FLS in conjunction with the relevant component.

#### Technical Data

Type	Section modulus [cm <sup>3</sup> ]	Moment of inertia [cm <sup>4</sup> ]	Radius of inertia [cm]	Torsional moment It [cm <sup>4</sup> ]	Cross section A [cm <sup>2</sup> ]
TP F 80	Wy: 15.83 Wz: 15.83	Iy: 62.47 Iz: 62.47	iy: 3.58 iz: 3.58	48.40	4.85
TP F 80/30	Wy: 10.38 Wz: 4.78	Iy: 35.40 Iz: 6.74	iy: 3.63 iz: 1.58	8.58	2.69



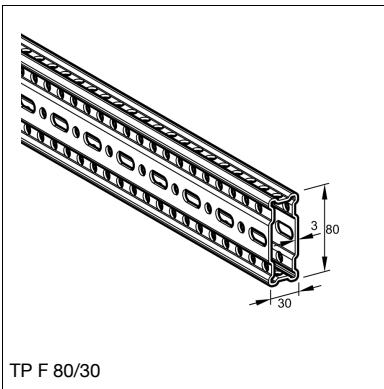
Mechanical properties shown above take into account perforations.

The specific values are effective values established by tests, geometrical quantities (analytically determined) can be significantly higher.

Material: Steel, hcp

#### Approvals / Compliance

CE mark (Declaration of performance see [www.sikla.com/service/downloads](http://www.sikla.com/service/downloads))



Type	Weight [kg/m]	Qty. [m]	Part number
TP F 80	6.4	6	<b>192539</b>
TP F 80/30	4.3	6	<b>113407</b>

