

SB F 80-16

U-Holder SB F 80

Group: A439

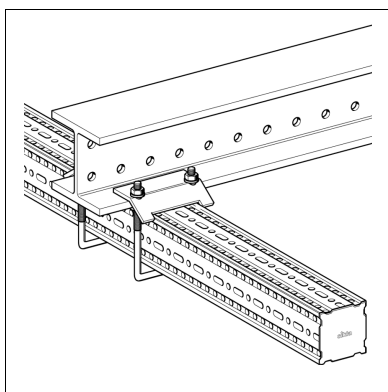
Application

Pre-assembled component to clamp Beam Section F 80 to the flange side of traditional steel sections.

Scope of delivery

Type SB F 80-16:
Holder with thread M10
Plate
2 Hexagon nuts M10
2 Washers

Type SB F 80-40:
Holder with thread M12
Plate
2 Beam Clips P2
2 Hexagon nuts M12
2 Washers

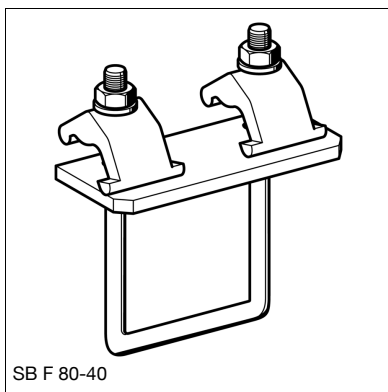


Installation

U-holder to be used in pairs.
Type 16 up to flange thickness 16 mm
Type 40 up to flange thickness 40 mm

Technical Data

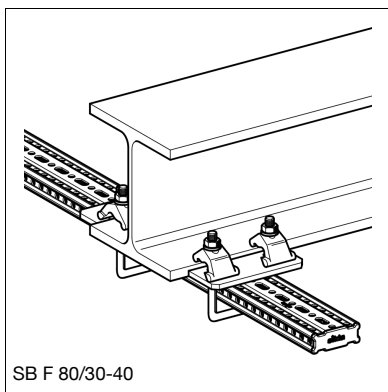
Type	Thread	Max. adm. tensile load	Tightening torque
SB F 80-16	M10	5.0 kN per U-bolt	30 Nm
SB F 80-40	M12	5.0 kN per U-bolt	40 Nm



SB F 80-40

Material:
U-Holder: Steel, HCP
Plate: Steel, HCP
Beam Clip: Steel resp. Cast Iron, HCP
Nut/Washer: Steel, HCP

Type	W [kg]	Quantity [pack]	Part number
SB F 80-16	0.6	20	192683
SB F 80-40	1.5	10	194010
SB F 80/30-16	0.5	20	115840
SB F 80/30-40	1.4	10	115839



SB F 80/30-40