

Assembly Set PS

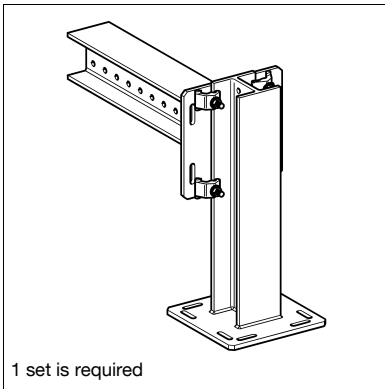
Group: A640

Application

Element for connecting Beam Bracket TKO, Angled Beam Bracket SKO or End Support WBD to a beam section.

Scope of delivery

Type	Beam Clip [Qty.]	Hexagon bolt 8.8 [Qty.]	Washer [Qty.]	Hexagon nut [Qty.]
Set P2 S	4 x P2	4 x M12 x 80	8 x 12/40	4 x M12
Set P3 S	4 x P3	4 x M16 x 100	8 x 16/125	4 x M16
Set P2/2 S	2 x P2	2 x M12 x 80	4 x 12/40	2 x M12



Installation

- ◆ The narrow ends of the Beam Clips must be fixed to the beam flange.
- ◆ Tightening torque $\pm 10\%$
 P2: 85 Nm
 P3: 150 Nm
- ◆ Once fully tightened, the hexagon bolts must not be re-used!

Technical Data

Material: Steel and cast iron, hcp

Type	Size range [mm]	W [kg]	Qty. [set]	Part number
Set P2 S	1 - 33	1.6	10	168494
Set P3 S	1 - 33	2.0	10	179147
Set P2/2 S	1 - 33	0.6	10	183800

