

### Beam Bracket TKO F 80

Group: A423

#### Application

Galvanised hollow-box-section with welded end-plate to serve as cantilever arm. May be used as a crossbar when combined with End Support STA/End Support WBD and 4 x Self Forming Screw FLS .

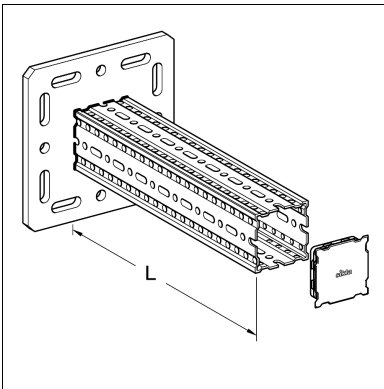
#### Scope of delivery

With pre-assembled End Cap ADK F 80.

#### Installation

Depending on the situation, different options are recommended:

- a) Directly to building structure: 4 x suitable wall anchors
- b) To traditional steel beams between 80 – 120 mm flange dimensions: 1x Assembly Set 5P M12 S
- c) To traditional steel beams > 120 flange dimension: with on-demand Adaptor Plate (tbc)
- d) To Sikla Simotec Steel Beams 100/120: with Bracket Plates FV 100/120 when positive mechanical connection required



#### Technical Data

Type	L [mm]	Dimensions of base plate [mm]	Slots in base plate for
TKO F80-400	400	220 x 220 x 12	M12
TKO F80-800	800	220 x 220 x 12	M12

Configuration Base plate welded to Beam Section TP F 80

Material:

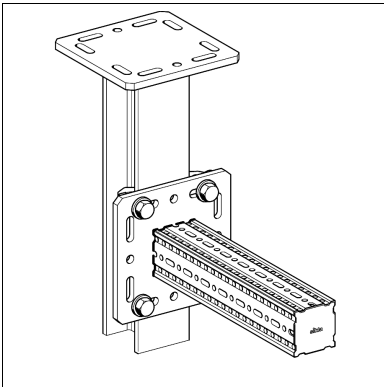
Base plate: Steel, HCP

Beam Section: Steel, HCP

#### Approvals / Compliance

CE mark (Declaration of performance see [www.sikla.com/service/downloads](http://www.sikla.com/service/downloads))

MPA tested



Type	W [kg]	Quantity [pack]	Part number
TKO F 80-400	6.6	1	<b>192788</b>
TKO F 80-800	9.2	1	<b>192795</b>