

Cantilever Bracket AK F 80

Group: A420

Application

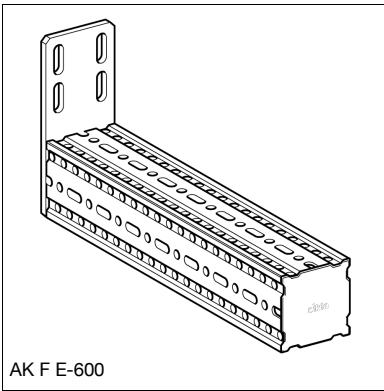
Galvanised hollow-box-section with welded end-plate to serve as cantilever arm. May be used as a crossbar when combined with End Support STA and 4 x Self Forming Screw FLS.

Scope of delivery

With pre-assembled End Cap ADK F 80

Installation

With 4 x Self Forming Screw FLS when fixed to another siFramo hollow-box-section. Alternatively with two suitable wall anchors through holes "A" when fixed directly to building structure.



Technical Data

Type	L [mm]	Dimensions of base plate [mm]	Slots in base plate for
AK F 80-400	400	190 x 80 x 8	M10
AK F 80-800	800	190 x 80 x 8	M10
AK F 80-E-600	600	165 x 80 x 8	M10

Configuration: Plate welded to Beam Section TP F 80

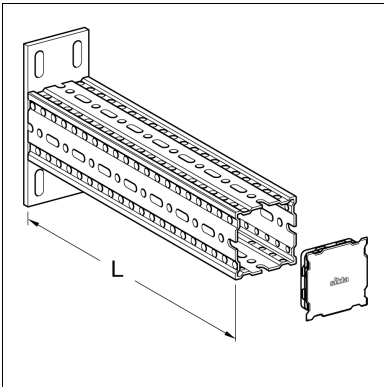
Material:

Plate: Steel, HCP

Beam Section: Steel, HCP

Approvals / Compliance

CE mark (Declaration of performance see www.sikla.com/service/downloads)
MPA tested



Type	W [kg]	Quantity [pack]	Part number
AK F 80-400	3.4	1	192764
AK F 80-800	5.8	1	192771
AK F 80-E-600	4.5	1	110370

