

STA F 80

### End Support STA F 80

Group: A422

#### Application

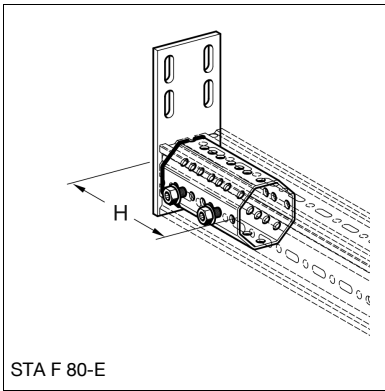
Plug-in component designed to create an endplate at the open end of a Beam Section TP F80 or a Cantilever bracket AK F80.

#### Installation

Depending on the version, following mountings solutions are possible:

- a) With 2x4 Self Forming Screws FLS when used to connect 2 Beam Sections.
- b) With 4 Self Forming Screws FLS applied to the octagonal insert and 2 suitable wall anchors/fixings when connected to the building structure.

The Beam Section TP F 80/80 connected to the End Support STA F 80 has to be screwed with 4 Self Forming Screws FLS F. On each of the opposite sides 2 Self Forming Screws FLS F are necessary.



STA F 80-E

#### Technical Data

Type	Dimensions of Base plate [mm]	Slots in base plate for	H [mm]
STA F 80	190 x 80 x 8	M10	148
STA F 80-E	165 x 80 x 8	M10	148
STA F 80-A	190 x 80 x 8	M12	148

Configuration: Base plate welded to octagonal element F 80

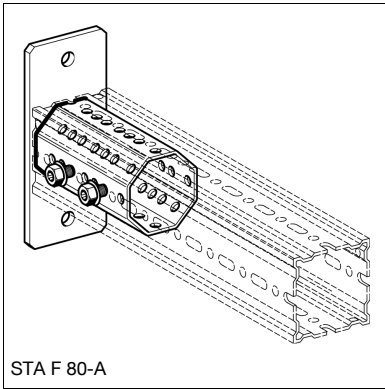
Material:

Plate: Steel, HCP

Octagonal element: Steel, HCP

#### Approvals / Compliance

CE mark (Declaration of performance see [www.sikla.com/service/downloads](http://www.sikla.com/service/downloads))  
MPA tested



STA F 80-A

Type	W [kg]	Quantity [pack]	Part number
STA F 80	1.6	1	192856
STA F 80-E	1.5	1	192863
STA F 80-A	1.7	1	192870

